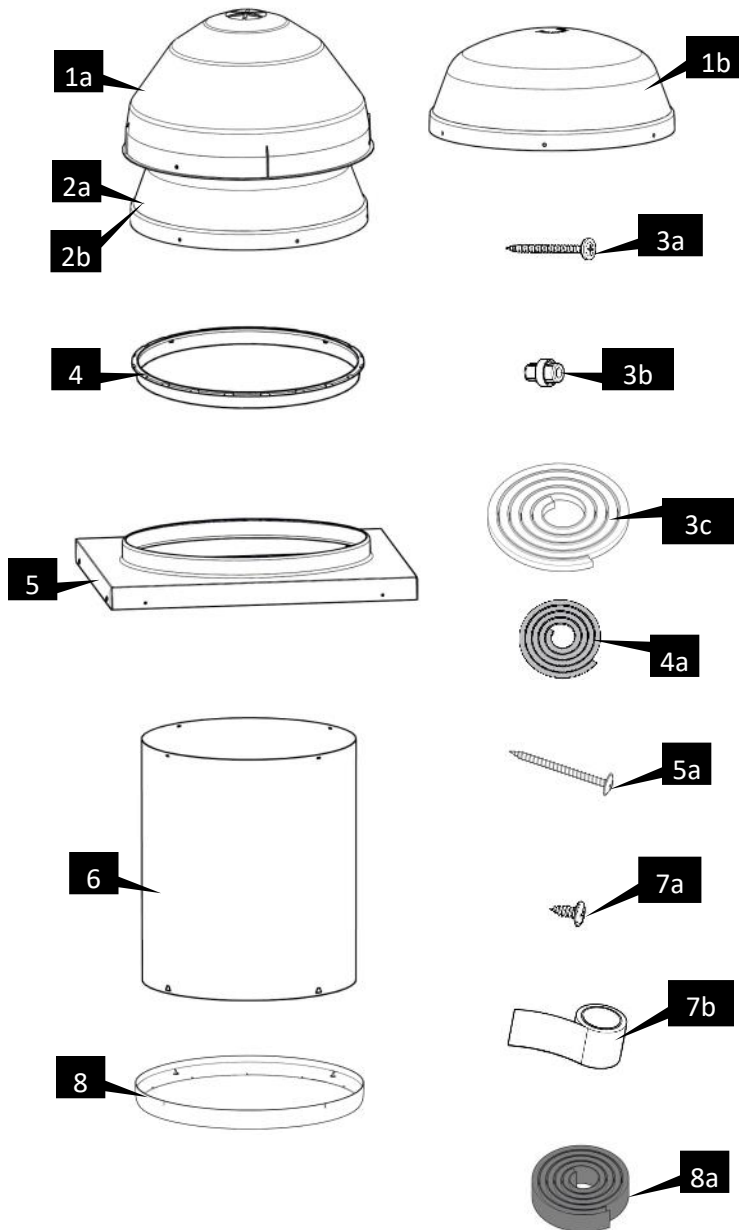


### Open Ceiling

For Closed Ceiling, see back of this page.



Parts List *		Quantity
Outer Dome Options		
1	a. 750 DS Dome with Raybender® 3000 Technology	(1)
	b. 330 DS Dome with LightTracker™ Reflector	(1)
2	Inner Dome Option (1)	
	a. Inner Dome for 750 DS (Optional)	(1)
	b. Inner Dome for 750 DS (Optional, Polycarbonate**)	(1)
Dome Fasteners		
3	a. Dome Screw #8 X 1 5/8 in (40 mm)	(4)
	b. Dome Spacer	(3)
	c. Dome Seal	(1)
4	Tube Ring (1)	
	a. Tube Ring Seal (Required for all Open Ceiling Units)	(1)
5	Roof Flashing (4 in (100 mm)**†, 8 in (200 mm)**†, 11 in (280 mm)**† or Curb Cap) (1)	
	a. Flashing Screws - #10 X 2 in (50 mm)	(21)
Spectralight® Infinity Tubes		
6	a. 24 in (610 mm) Extension Tube with Tube Fastener Kit	(1)
	b. 48 in (1220 mm) Extension Tube with Tube Fastener Kit	(1)
Tube Fastener Kit (1)		
7	a. Tube Screws - #8 X 9/16 in (14 mm)	(5)
	b. 2 in (50 mm) Foil Tape - 18 ft (5.5 m)	(1)
8	Diffuser for Open Ceiling (1)	
	a. Diffuser Seal	(1)

#### Required Tools:

Saber or Reciprocating Saw	Utility Knife
Flat Bar	Caulking Gun
Tape Measure	Lumber Crayon
Screw Gun with Phillips Head	Metal Shears
Magnetic Compass	Required Safety Equipment
Hammer	Drill Bit #40 (3/32 in/2.5 mm)

\*Components shown not included in all kits, see label on box.

\*\*†Required for High Velocity Hurricane Zone (HVHZ) areas.

\*\*\* Some of these products are

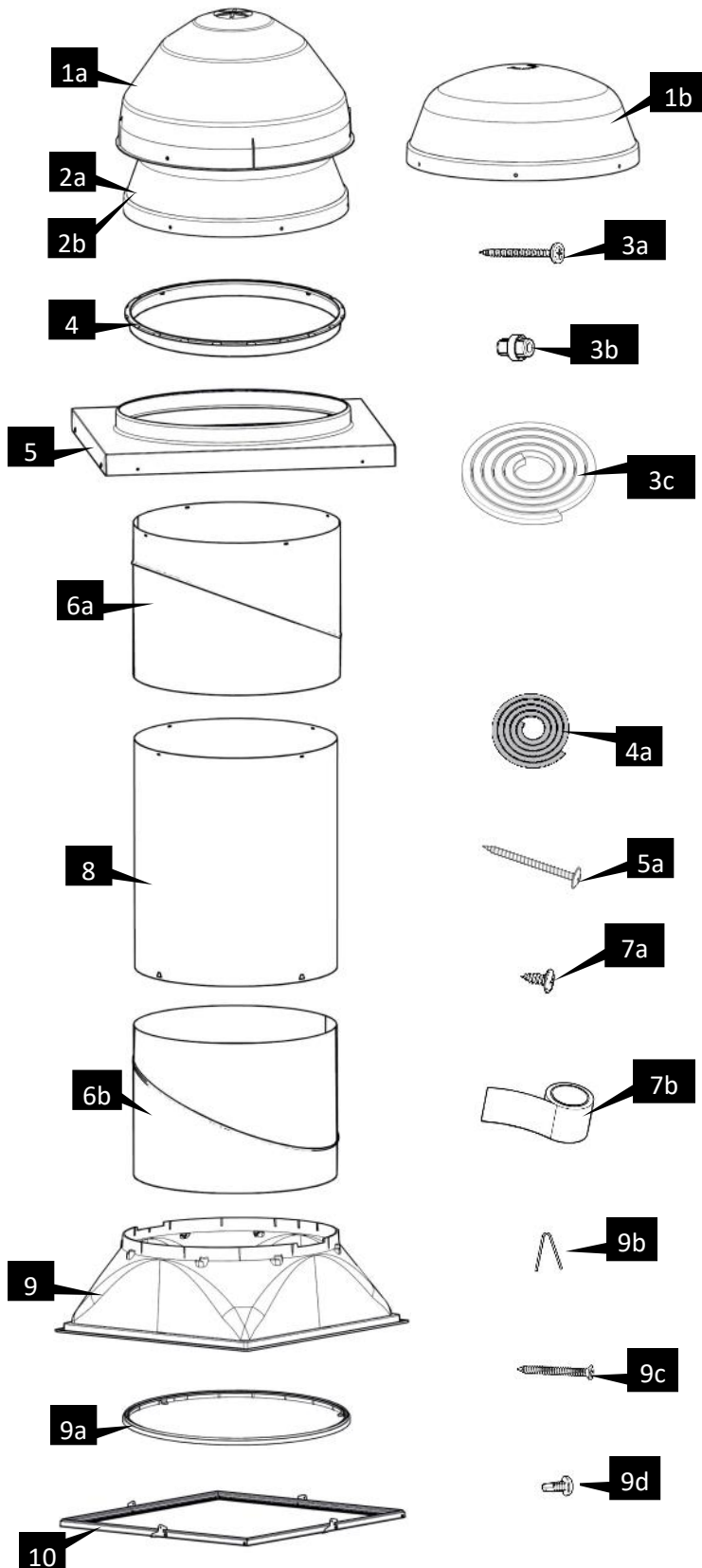


and meet criteria for UFC 4-010-01 DoD Minimum Antiterrorism Standards for Buildings. See warning section for approved configurations.

For the most current Installation Instructions, please visit [www.solatube.com/instructions](http://www.solatube.com/instructions)

Solatube International, Inc. | 2210 Oak Ridge Way | Vista, CA 92081-8341 | [www.solatube.com](http://www.solatube.com) | T: 888.SOLATUBE

# Closed Ceiling



Parts List *		Quantity
1	Outer Dome Options	
	a. 750 DS Dome with Raybender® 3000 Technology	(1)
2	b. 330 DS Dome with LightTracker™ Reflector	(1)
	Inner Dome Option	(1)
3	a. Inner Dome for 750 DS	(1)
	b. Inner Dome For 750 DS (Optional, Polycarbonate**)	(1)
3	Dome Fasteners	
	a. Dome Screw #8 X 1 5/8 in (40 mm)	(4)
	b. Dome Spacer	(3)
4	c. Dome Seal	(1)
	Tube Ring	(1)
5	a. Tube Ring Seal **	(1)
	Roof Flashing (4 in (100 mm)**+, 8 in (200 mm)**+, 11 in (280 mm)**+ or Curb Cap)	(1)
6	a. Flashing Screws - #10 X 2 in (50 mm)	(21)
	Spectralight® Infinity Tubes	
7	a. Top Tube with Angle Adapter	(1)
	b. Bottom Tube with Angle Adapter	(1)
8	Tube Fastener Kit	(1)
	a. Tube Screws - #8 X 9/16 in (14 mm)	(10)
9	b. 2 in (50 mm) Foil Tape - 18 ft (5.5 m)	(2)
	Spectralight® Infinity Tubes	
10	a. 24 in (610 mm) Extension Tube (optional) with Tube Fastener Kit	(1)
	b. 48 in (1220 mm) Extension Tube (optional) with Tube Fastener Kit	(1)
9	Transition Box (Plastic/Polymeric) or (Metal with Softlight Technology)	(1)
	a. Natural Effect Lens (Optional)	(1)
	b. Transition Box Hold Down Clip	(4)
	c. Drill Tip Screw - #6 X 1 5/8 in (40 mm) (For Hard Ceiling Application Only)	(4)
10	d. Drill Tip Screw - #8 X 5/8 in (16 mm)	(2)
	Diffuser	(1)

\*Components shown not included in all kits, see label on box.

\*\*Required for High Velocity Hurricane Zone (HVHZ) areas.

\*\*+ Some of these products are



and meet criteria for UFC 4-010-01 DoD Minimum Antiterrorism Standards for Buildings. See warning section for approved configurations.

# **WARNING**



**Do not proceed with the installation until you have read the entire instructions, including these warnings. (Use of materials or methods not authorized by Solatube International will result in an invalid warranty.)**

Solatube International, Inc. (seller) assumes no responsibility or obligation whatsoever for the failure of an architect, contractor, installer, or building owner to comply with all applicable laws, ordinances, building codes, electrical codes, energy codes, fire and safety codes and requirements, roof warranties and adequate safety precautions. Installation of this product should be attempted only by individuals skilled in the use of the tools and equipment necessary for installation. Protect yourself and all persons and property during installation. If you have any doubt concerning your competence or expertise, consult a qualified expert before proceeding.



## **Install at your own risk!**

Solatube product installations may be dangerous and include the potential for death, personal injury and property damage. The hazardous conditions include but are not limited to the following:

- **During installation, the Solatube Daylighting System's reflective tubes may focus sunlight, causing intense heat or fire. Remove protective film only after the parts have been installed. Prior to and during installation, do not leave tubes in contact with combustible materials or unattended, especially near direct sunlight. Avoid skin burns.**
- **Do not leave debris from installation process unattended. Scrap from tubing and foil tape are highly reflective and if left unattended can focus sunlight and can cause intense heat or fire. Clean up all unused material and trash and store or discard in proper covered locations.**
- Solatube Daylighting System and Solar Star products may have sharp edges. Always wear leather or canvas gloves while handling and installing products.
- Solatube product installations require climbing and working at dangerous heights, including on ladders, scaffolding, roofs and in attic spaces. Risk of death, personal injury and property damage may result from a fall, or from falling objects. Use extreme caution to minimize risk of accidental injury, including, but not limited to the following procedures:
  - Clear area below your work space of all people, animals and other items.
  - Avoid working on surfaces that are slippery or wet.
  - Use foot-wear with excellent traction.
  - Use only strong, well supported ladders.
  - Work only in calm dry weather.
  - When in the attic, ensure that your weight is supported at all times with structurally sound framing; drywall material is not designed to carry a person's weight.
- To reduce the risk of fire, electric shock, and personal injury, basic safety precautions should always be followed when using electric tools, including always wearing safety goggles or other suitable eye protection, and ensuring work area is clear of all electrical wires, gas pipes, water pipes, and other obstacles.
- When working in the attic or other dusty areas, use of a mask or respirator is recommended to avoid lung irritation. Attic spaces may be dark, confined, and subject to extreme temperatures. Beware of sharp protruding objects. Do not attempt installation without having someone within range of your voice or close enough to come to your aid if necessary.
- Solatube products are not designed to withstand the weight of a person, tools or other objects. Walking or placing objects on the system could cause personal injury and property damage. If the product is damaged, the structural capacity may be weakened; therefore the system should be repaired immediately. For safe installation and use, do not deviate from these installation instructions.
- Additional support is recommended for long vertical and all horizontal tube runs. Review local building requirements and consult with appropriate building code official for proper material and placement of additional support. Avoid galvanic reaction (corrosion) if dissimilar metals are used.

## **Electrical Components**

- Before installing, servicing, or cleaning unit, switch power off at service panel and lock service panel to prevent power from becoming switched on accidentally. When the service disconnecting means cannot be locked, securely fasten a prominent warning device such as a tag to the service panel.

## **Re-Roofing**

- Solatube products require special care if removed for re-roofing. In order to ensure proper removal and re-installation, please contact your Solatube International representative.

**Please refer to the installation tips for the appropriate product below:**



## **Daylighting Systems Installation Tips**

These instructions are a step-by-step guide for the installation of a Solatube Daylighting System in the following conditions. For other roof types, please contact your Solatube International representative for additional information.

**Built Up Flat Roof - Single Ply/Membrane - Asphalt Shingle - Low/No Pitched - Pitched - Prefabricated Curbs - Metal Roof Panels**

For the most current Installation Instructions, please visit [www.solatube.com/instructions](http://www.solatube.com/instructions)  
Solatube International, Inc. | 2210 Oak Ridge Way | Vista, CA 92081-8341 | [www.solatube.com](http://www.solatube.com) | T: 888.SOLATUBE



## Daylighting Systems Installation Tips (Continued)

- Allow at least 2-3 hours for the installation, particularly if this is your first installation.
- During the day, turn off all the lights in the room to see how much natural light comes in through the windows, and determine the best position for the Solatube Daylighting System. To light a specific area, place the system over the area, not in the center of the room. This will prevent the desired area from being shaded by tall objects in the room.
- Measure the distance between the roof and the ceiling. If you don't have enough tubing, contact your Solatube International representative for additional tubing.
- Avoid roof locations shaded by trees, ridges and chimneys, or near water channels or valleys. Also avoid roof areas with obstructions such as fire sprinklers, HVAC equipment, gas, water or drain pipes, air ducts or flues and make sure that the roof is adequate to endure an installation without damaging its waterproofing properties or weakening the building structure.
- All adhesives, seals and tapes are recommended to be applied to a clean and dry surface at a minimum of 70°F (21°C) for maximum performance.
- Foil tape contains a pressure sensitive adhesive and pressure must be applied at all seams for proper bonding. Foil tape is not intended for use as structural support of the extension tubes. For structural integrity use manufacturer supplied fasteners on all overlapping extension tube joints.
- Uninstalled product that is stored and exposed to excessive heat and or humidity can experience damage. Store product prior to installation in a cool dry place.
- For installations where high levels of suit or debris may be present it may be necessary to use foil tape to seal the diffuser to the tubing to prevent the excess debris from entering the tubing.
- FM (Factory Mutual): The 750 DS Dual Dome with Polycarbonate Inner Dome and the 330 DS with Polycarbonate Dome, when used with the Dome Edge Protection Band, meet requirements for FM Approvals.



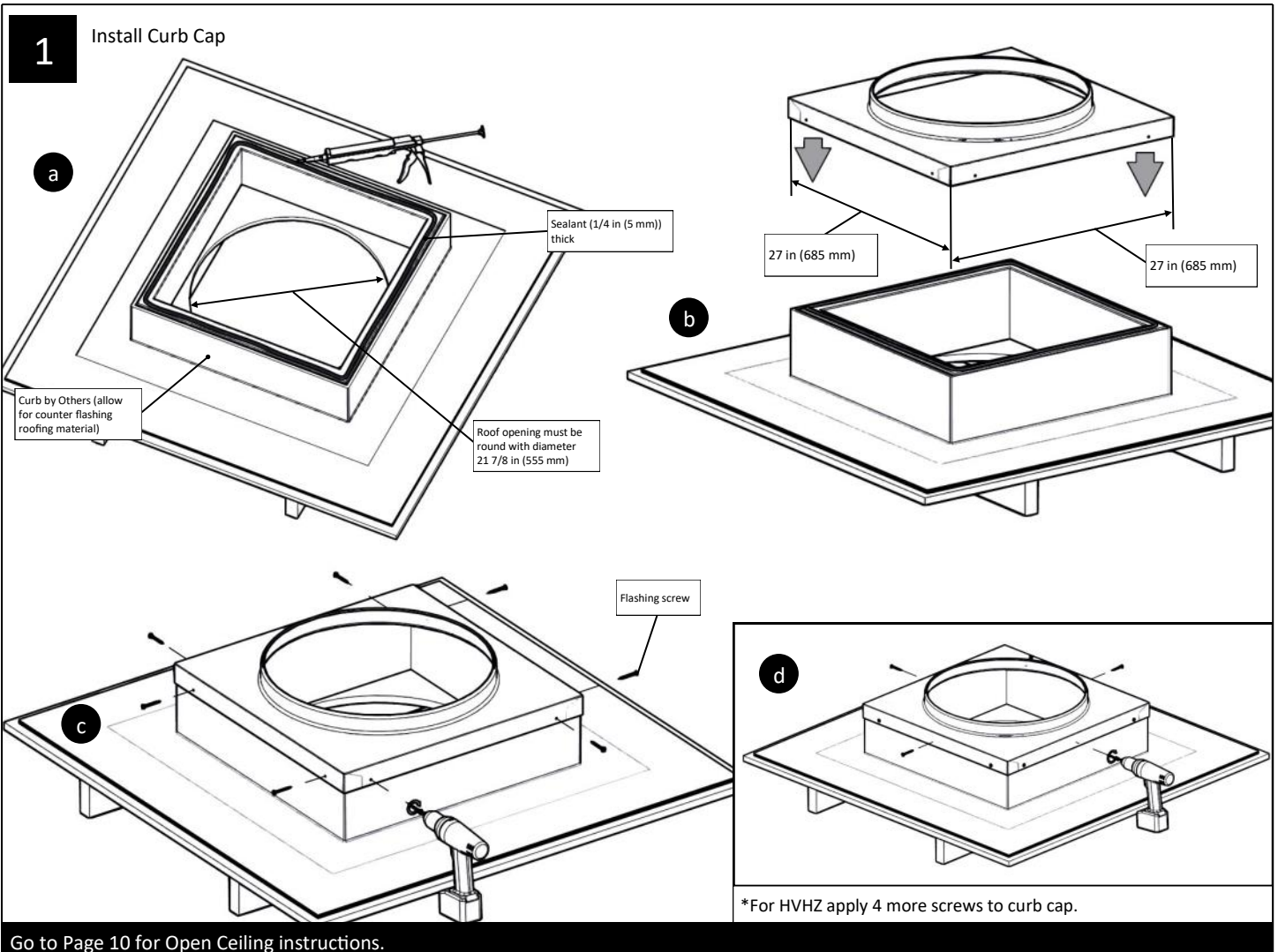
- UFC-4-010-01: All SolaMaster assemblies meet requirements for United Facilities Criteria (UFC) DoD minimum antiterrorism standard for buildings.



## Daylight Dimmer Installation Tips

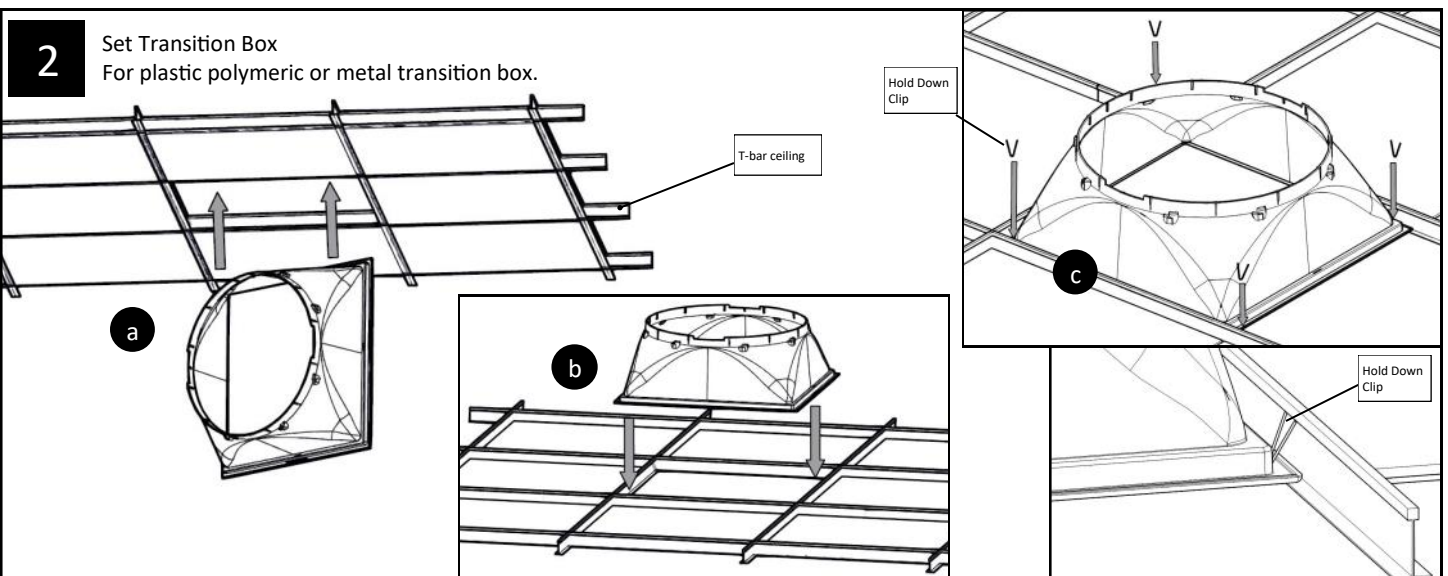
- Install Solatube Daylight Dimmer only on a properly aligned Solatube Daylighting System.
- Use only UL recognized components approved for this listing.

# Curb Cap Installation Instructions



Go to Page 10 for Open Ceiling instructions.

# Closed Ceiling Installation Instructions

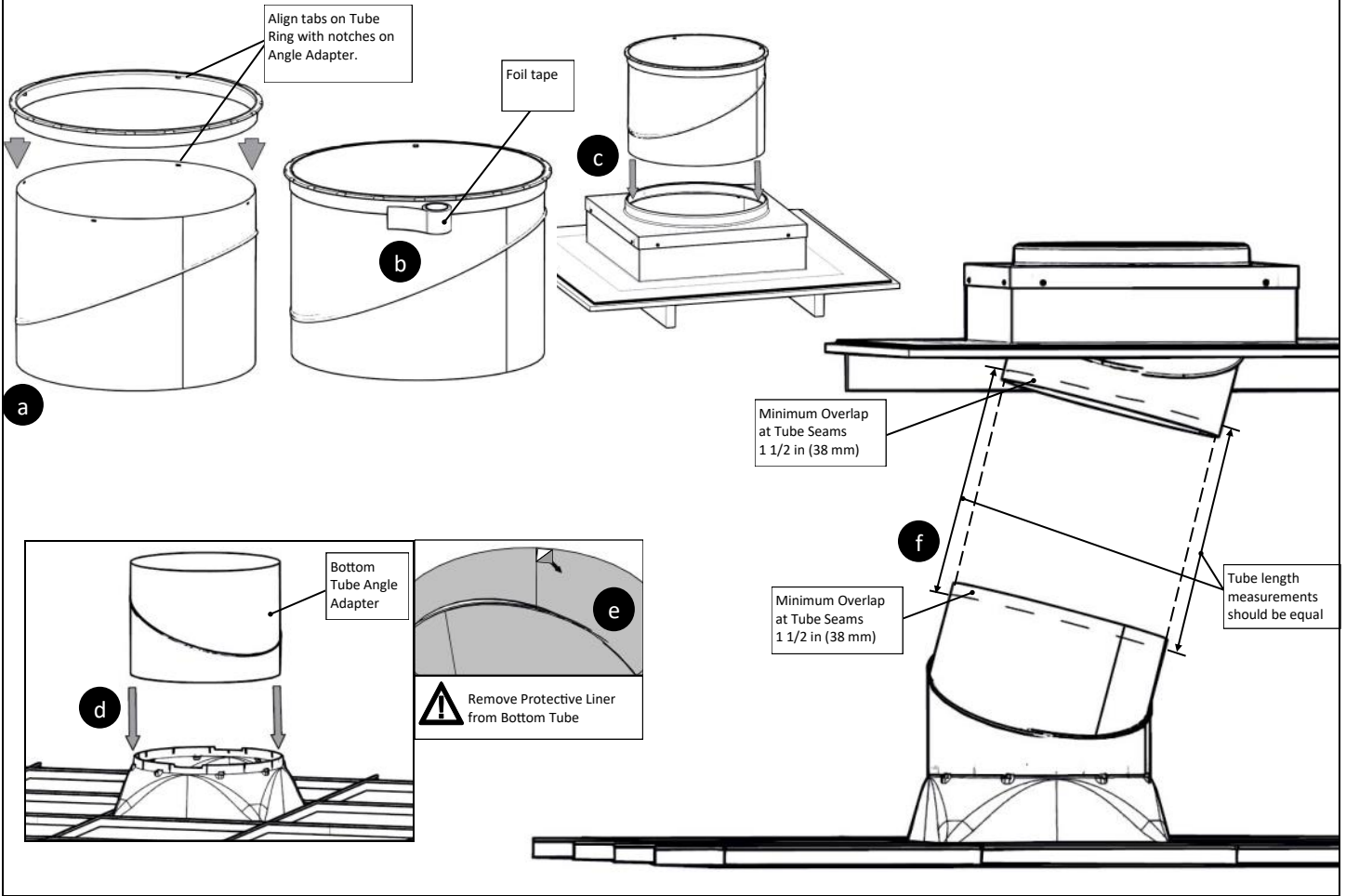


For the most current Installation Instructions, please visit [www.solatube.com/installations](http://www.solatube.com/installations)  
 Solatube International, Inc. | 2210 Oak Ridge Way | Vista, CA 92081-8341 | [www.solatube.com](http://www.solatube.com) | T: 888.SOLATUBE

### 3

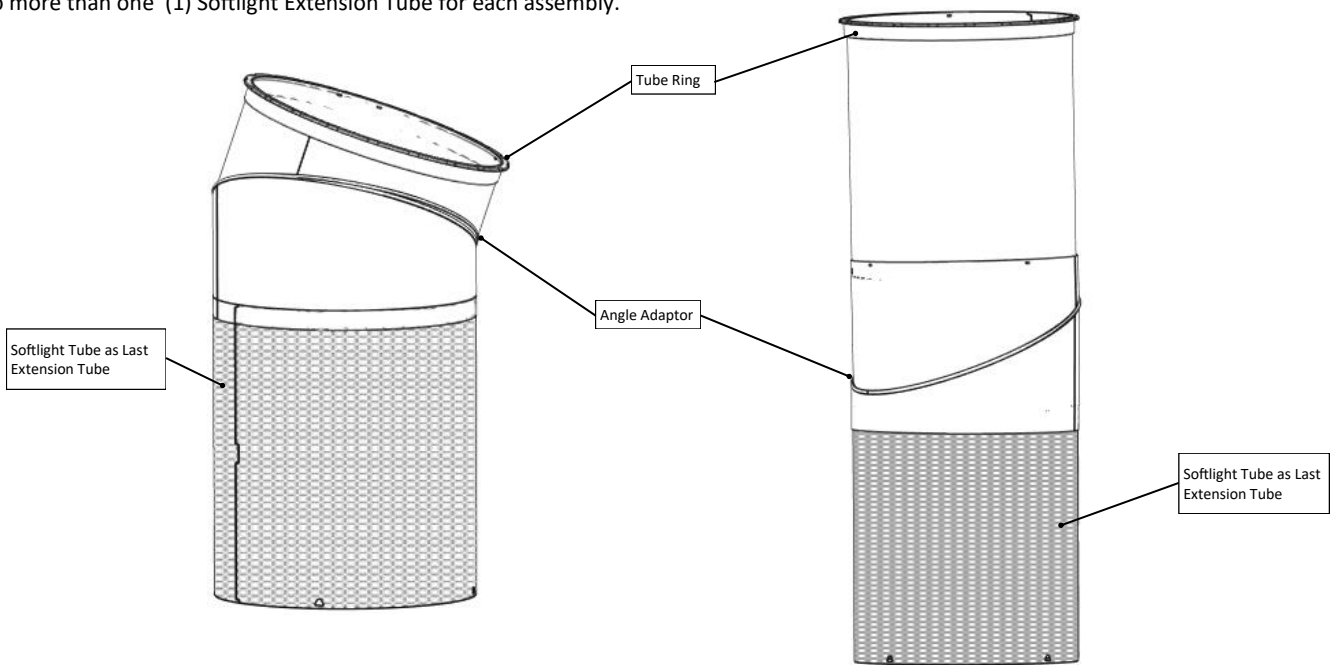
#### Install Top and Bottom Tube Angle Adapters; Measure Tube Run

Tube ring can be installed on Top Tube with Angle Adapter or an Extension tube (see step 5).



#### Note: For use with Metal Transition Box

Install Spectralight Softlight Tubing at bottom of tube run for best results. Use no more than one (1) Softlight Extension Tube for each assembly.



For the most current Installation Instructions, please visit [www.solatube.com/instructions](http://www.solatube.com/instructions)

**4** Option 1: Assemble 24 in (610 mm) Extension Tube  
 Use notches to create tapered tube.  
**Note:** Spectralight Softlight Extension Tubes must be assembled to be parallel not tapered.

Remove Protective Liner

Apply pressure to tape for proper bonding

**4** Option 2: Assemble 48 in (1220 mm) Extension Tube  
 Use slots to create tapered tube.  
**Note:** Spectralight Softlight Extension Tubes must be assembled to be parallel not tapered.

Remove Protective Liner

Apply pressure to tape for proper bonding

**5** Assemble and Install Tube Run

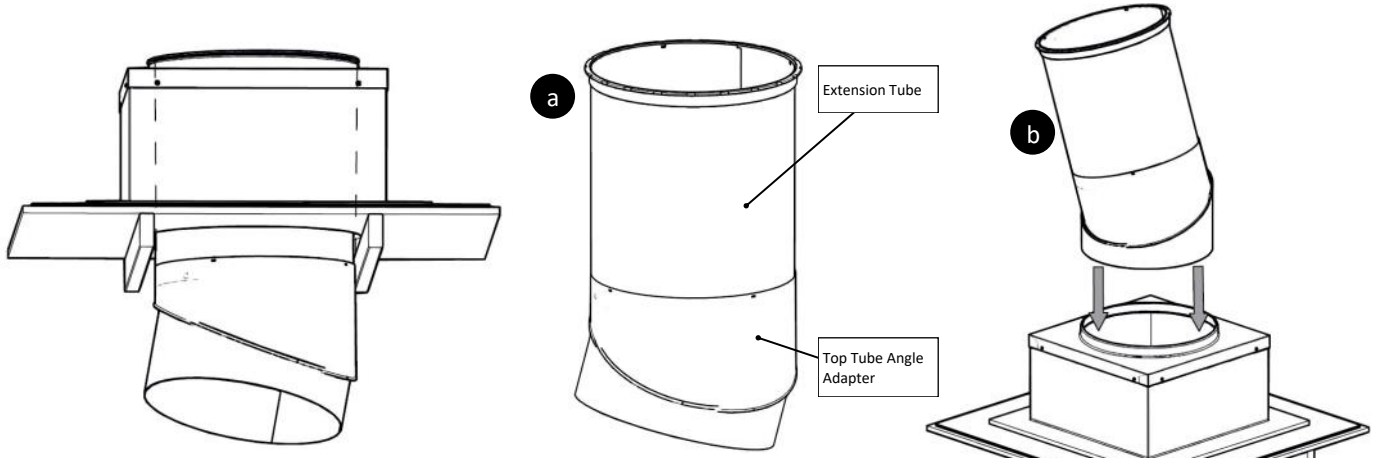
Foil tape

Tube screw

For the most current Installation Instructions, please visit [www.solatube.com/instructions](http://www.solatube.com/instructions)  
 Solatube International, Inc. | 2210 Oak Ridge Way | Vista, CA 92081-8341 | [www.solatube.com](http://www.solatube.com) | T: 888.SOLATUBE

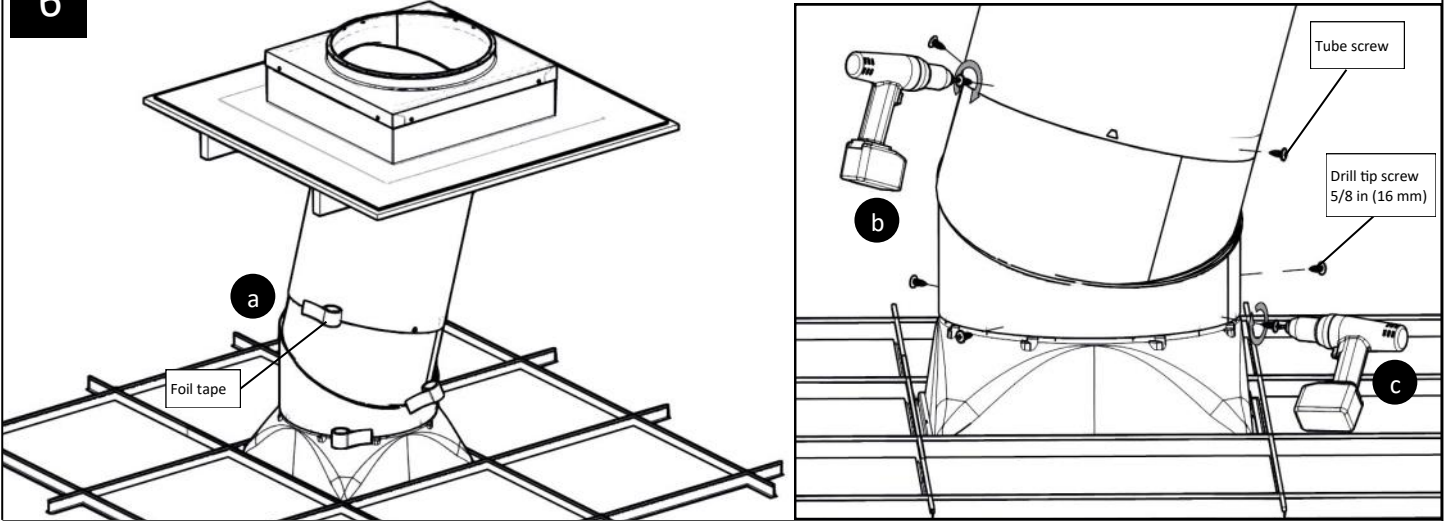
**Alternative Tube Run**

For curb heights or obstructing structural members that require an Extension Tube as the Top Tube, use configuration below:



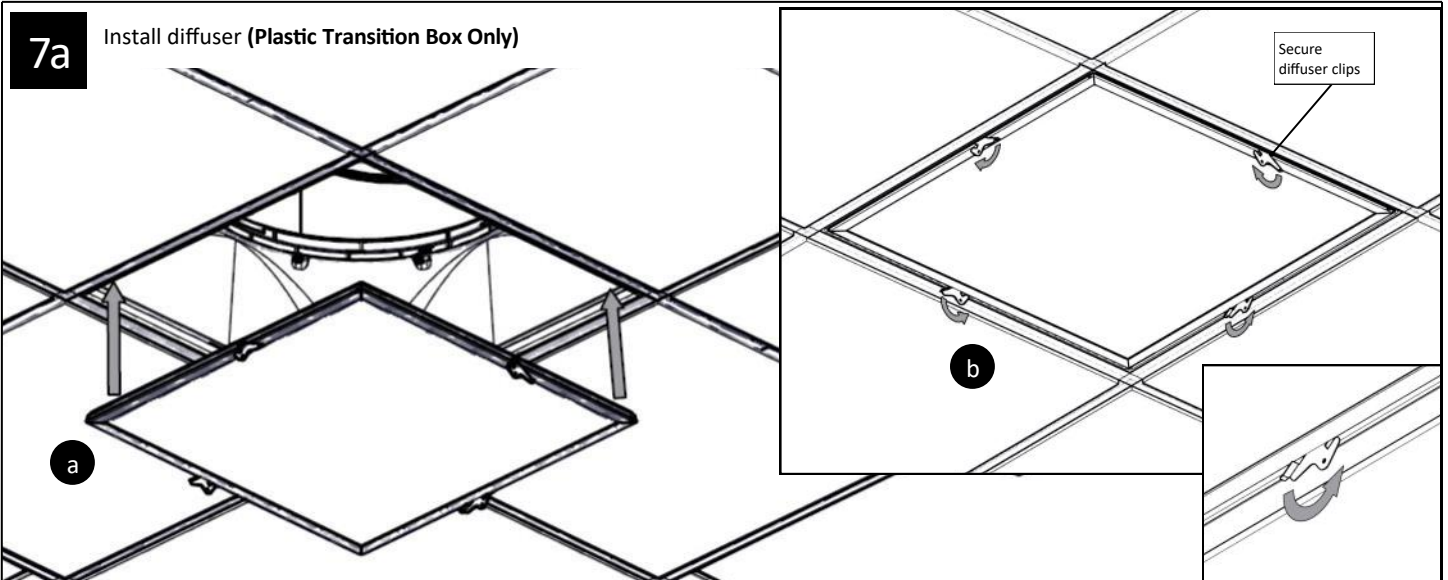
**6**

Connect Tube Run and Fasten to Transition Box



**7a**

Install diffuser (Plastic Transition Box Only)



For the most current Installation Instructions, please visit [www.solatube.com/instructions](http://www.solatube.com/instructions)



**7b** Install diffuser (Metal Transition Box with Softlight Technology Only)

Diffuser Clip

Secure diffuser clips

**Note:** Do not press diffuser into metal transition box too far. Ensure that diffuser is flush with transition box frame.

**8** Install Dome Seal

Remove Protective Liner

Dome seal

For 330 DS Dome: 1/4 in (5 mm) below top edge of flashing turret.

Tube Ring

For 750 DS or Dual Dome: 1/4 in (5 mm) above base of flashing landing.

**9** Option 1: Install 330 DS dome  
Reflective side of LightTracker™ Reflector faces South in Northern Hemisphere (North in Southern Hemisphere).

LightTracker™ Reflector tabs fit between Top Tube and Tube Ring.

Insert dome spacer long end first.

Pre-drill

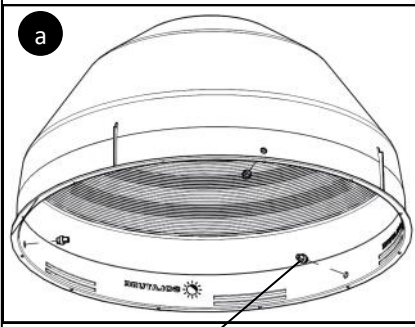
Dome screw

Insert dome screws and spacers evenly leaving every other hole open.

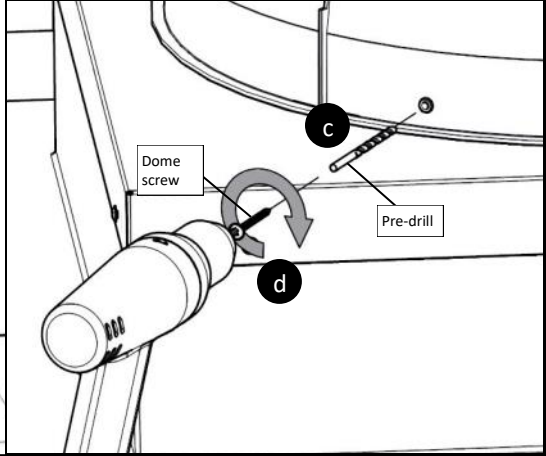
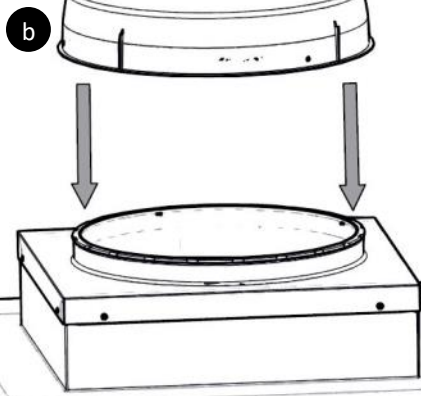
For the most current Installation Instructions, please visit [www.solatube.com/instructions](http://www.solatube.com/instructions)  
 Solatube International, Inc. | 2210 Oak Ridge Way | Vista, CA 92081-8341 | [www.solatube.com](http://www.solatube.com) | T: 888.SOLATUBE

9

Option 2: Install 750 DS Dome

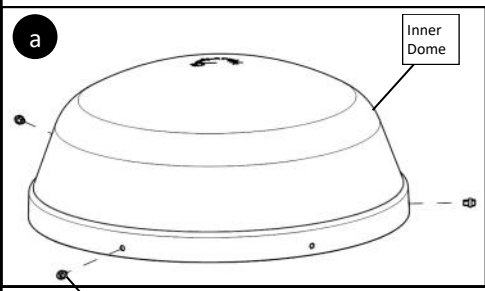


Insert Dome spacer short end first from inside dome.

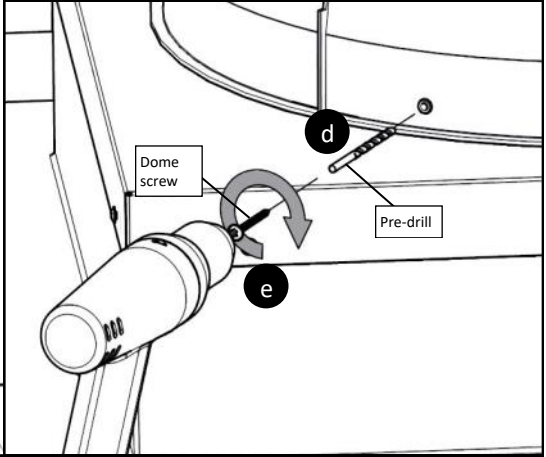
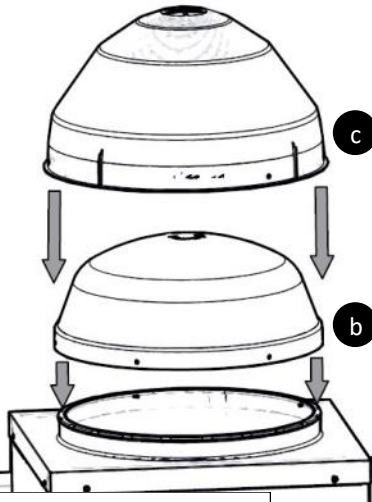


9

Option 3: Install 750 DS Outer Dome with Inner Dome\*



Insert Dome spacer long end first leaving every other hole open.



\*Polycarbonate inner dome required for HVHZ areas; dip screw threads in sealant.

### Open Ceiling Installation Instructions

10

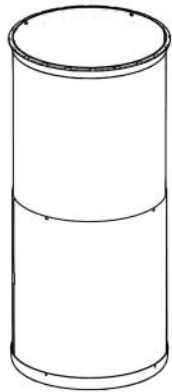
Determine Tube Configuration

NOTE: If utilizing Spectralight Softlight Tubing in open ceiling applications install at bottom of tube run (last extension tube) for best results.

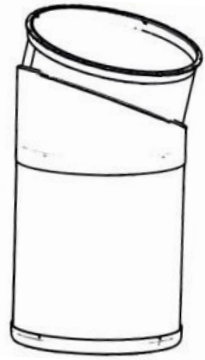
Option 1:  
Single Extension Tube



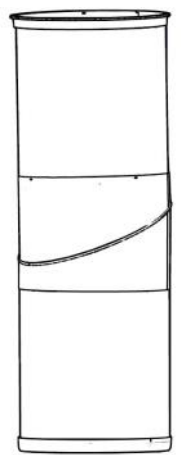
Option 2:  
Additional length



Option 3:  
For pitched roofs



Option 4:  
For tall curb heights



For the most current Installation Instructions, please visit [www.solatube.com/instructions](http://www.solatube.com/instructions)

10

Solatube International, Inc. | 2210 Oak Ridge Way | Vista, CA 92081-8341 | [www.solatube.com](http://www.solatube.com) | T: 888.SOLATUBE

**11** Option 1: Assemble 24 in (610 mm) Extension Tube  
**Note:** Spectralight Softlight Extension Tubes must be assembled to be parallel not tapered.

Remove Protective Liner

Assemble parallel tube for open ceiling configurations

Apply pressure to tape for proper bonding

\*Ensure tubing is notched correctly for proper diffuser fitment.

**11** Option 2: Assemble 48 in (1220 mm) Extension Tube  
**Note:** Spectralight Softlight Extension Tubes must be assembled to be parallel not tapered.

Remove Protective Liner

Assemble parallel tube for open ceiling configurations

Apply pressure to tape for proper bonding

**12** Install Tube Ring and Diffuser

Install top edge of diffuser seal along traced line.

Foil tape

Align diffuser tab with tube notches.

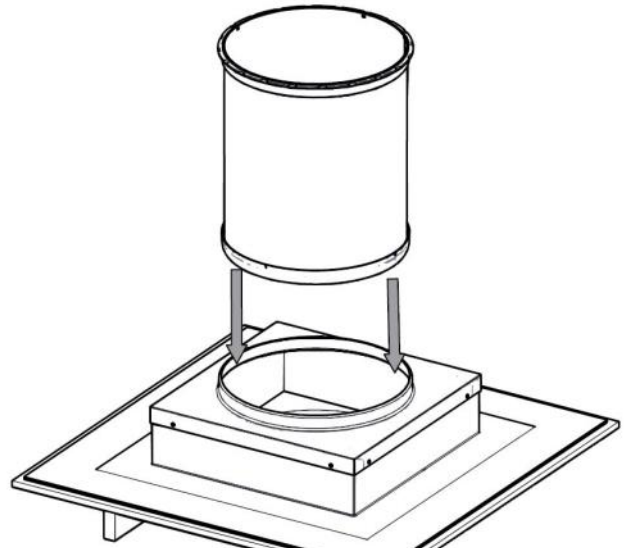
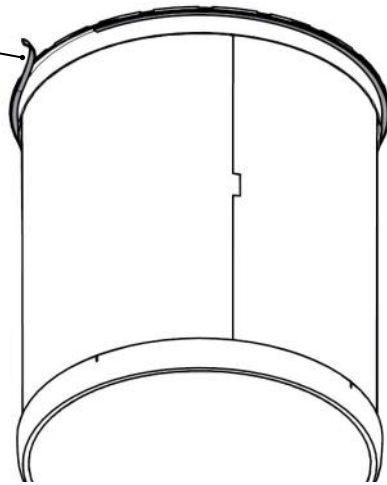
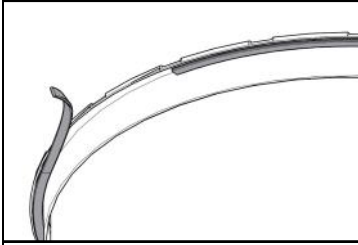
\* For installations where high levels of suit or debris may be present it may be necessary to use foil tape to seal the diffuser to the tubing to prevent the excess debris from entering the tubing.

For the most current Installation Instructions, please visit [www.solatube.com/instructions](http://www.solatube.com/instructions)  
 Solatube International, Inc. | 2210 Oak Ridge Way | Vista, CA 92081-8341 | [www.solatube.com](http://www.solatube.com) | T: 888.SOLATUBE

13

Apply Tube Ring Seal and Install Tube Run

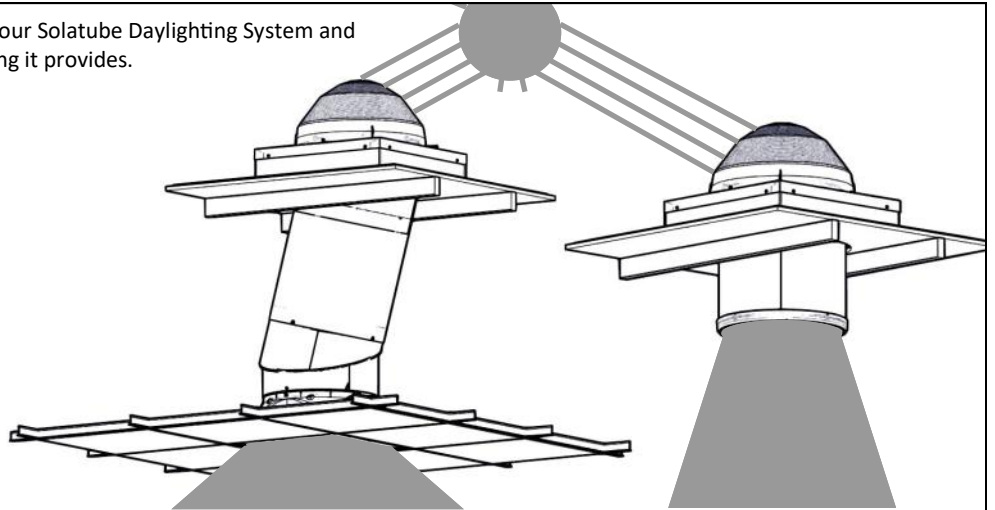
Tube ring seal for open ceiling only



Return to step 8 to complete Open Ceiling instructions.

14

Now you can enjoy the benefits of your Solatube Daylighting System and the high performance, natural lighting it provides.



Please refer to the following section for a list of alternative flashings and accessories.

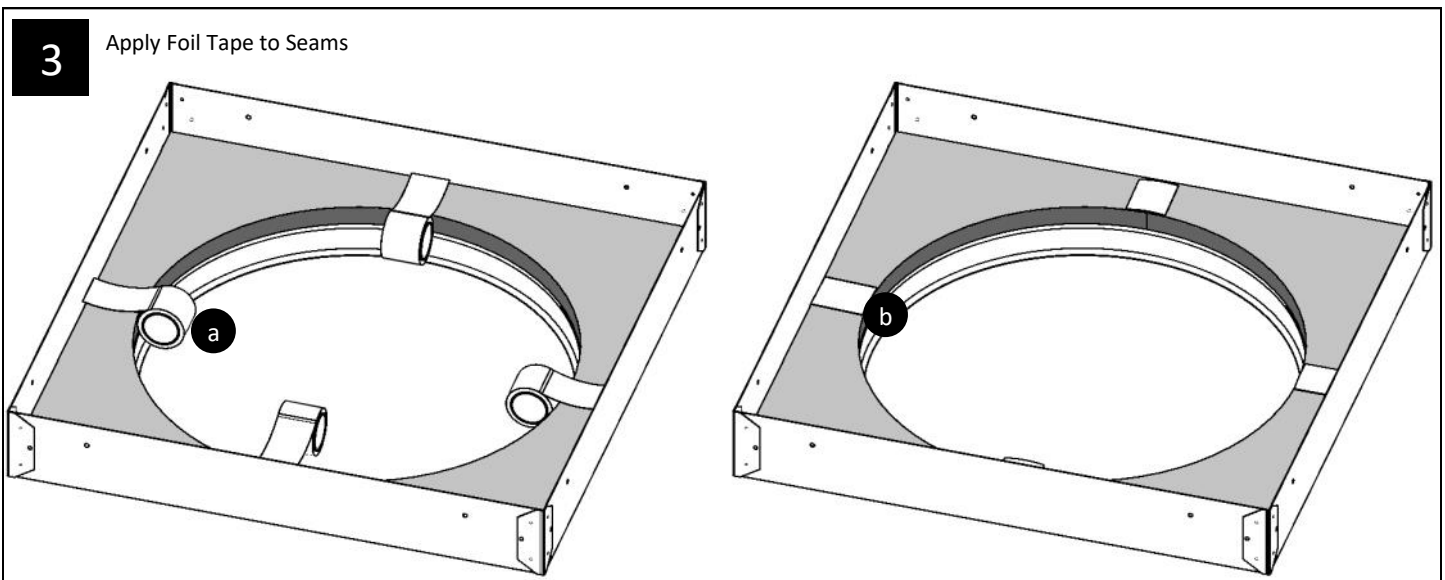
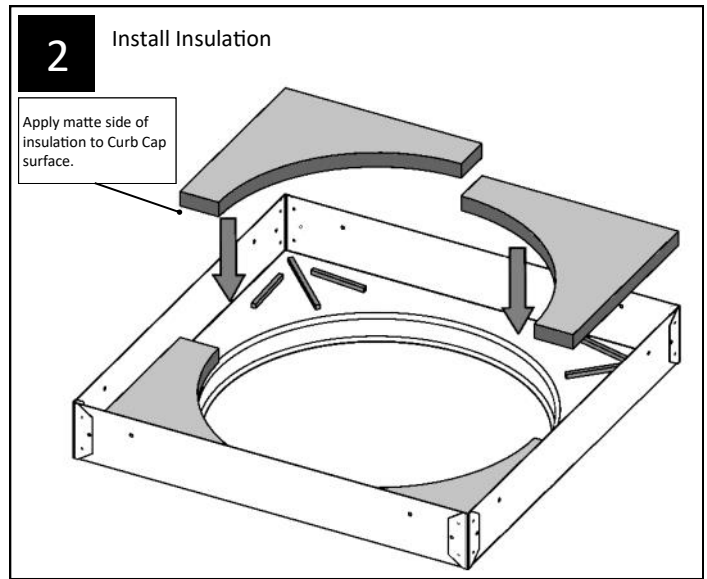
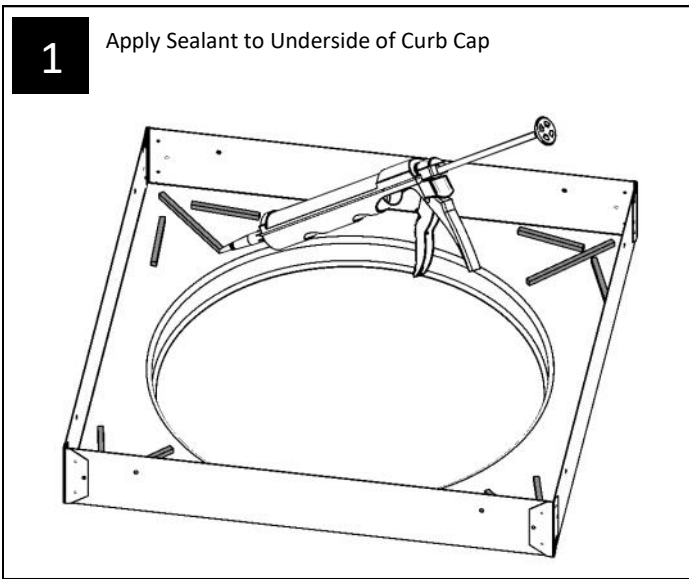
Not all items shown in the following pages are available for all markets. Installation techniques shown may vary by region; please consult local building codes and Solatube International Representatives for guidelines.

# Curb Cap Flashing Insulation

## Installation Instructions Appendix

Parts List	Quantity
1 330 DS / 750 DS Curb Insulation	(4)

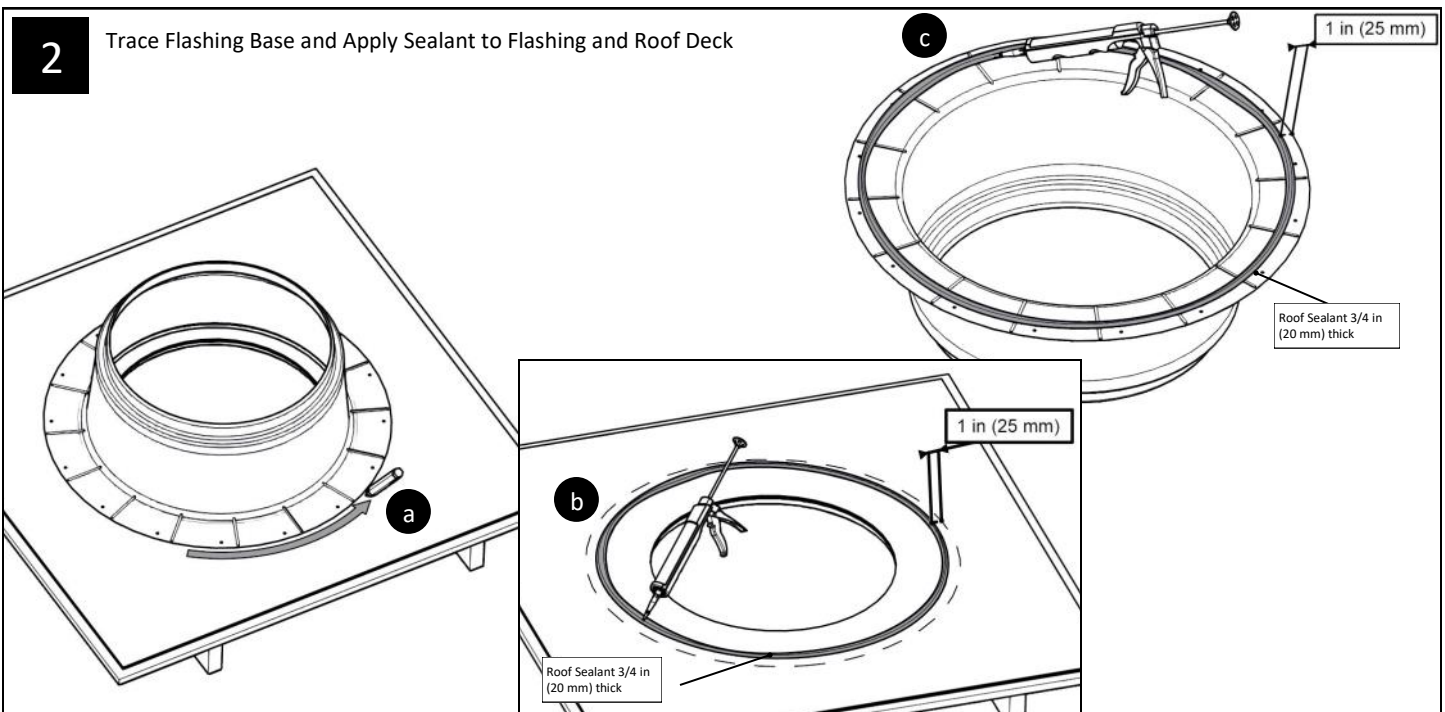
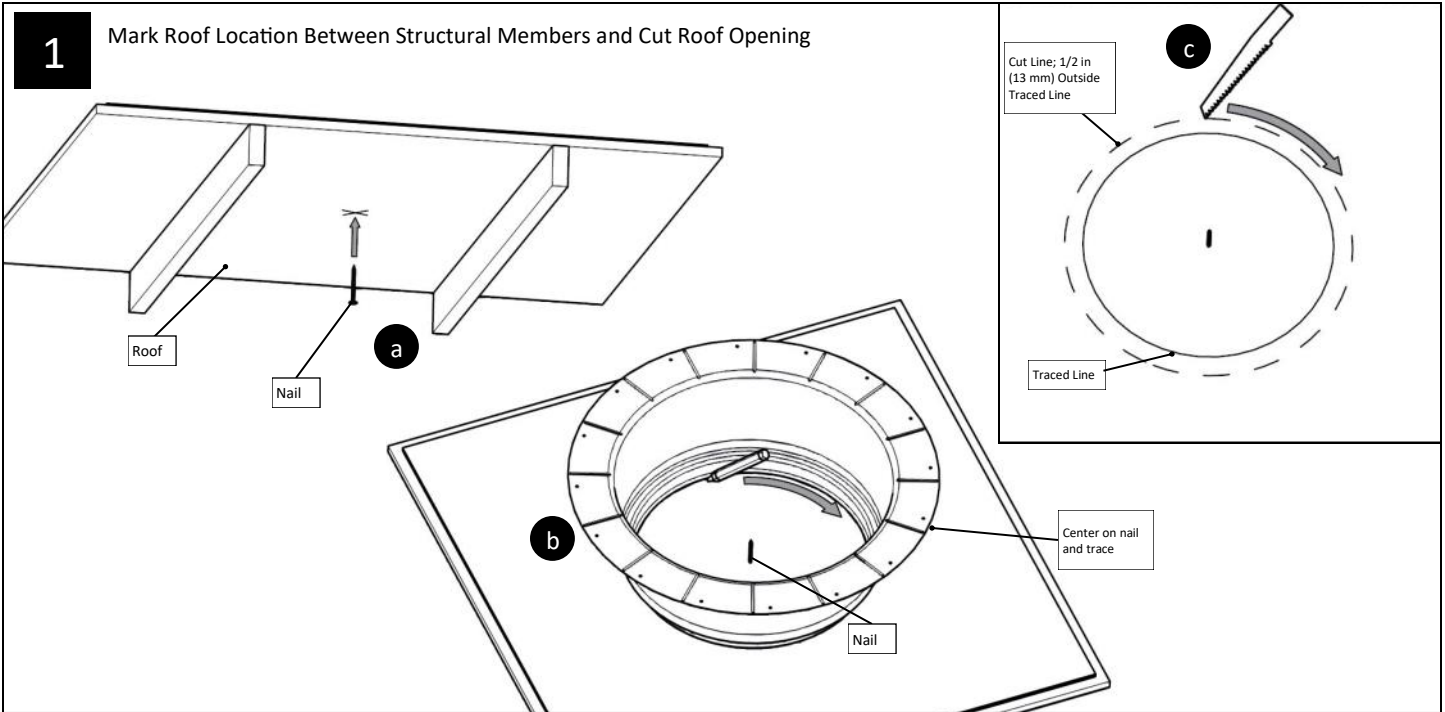
Additional Materials and Tools	Quantity
1 Roof Sealant	(1)
2 Foil Tape	(1)



# Self-Flashing Installation Instructions Appendix

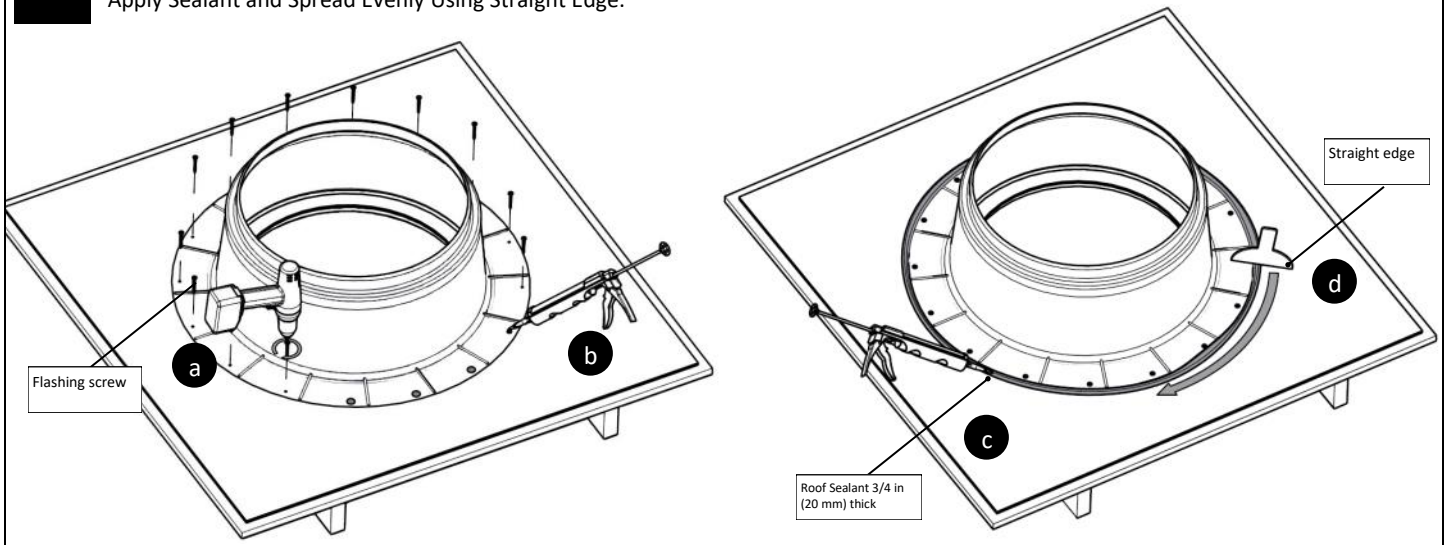
Parts List	Quantity
1 Self-Flashing (4 in (100 mm), 8 in (200 mm), 11 in (280 mm))	(1)
2 Flashing Screws - #10 X 2 in (50 mm)	(21)

Additional Materials and Tools	Quantity
1 Roof Sealant	(3)
2 Straight Edge	(1)



**3**

Fasten Flashing to Roof.  
Apply Sealant and Spread Evenly Using Straight Edge.



# Round Concrete Curb Cap Installation Instructions Appendix

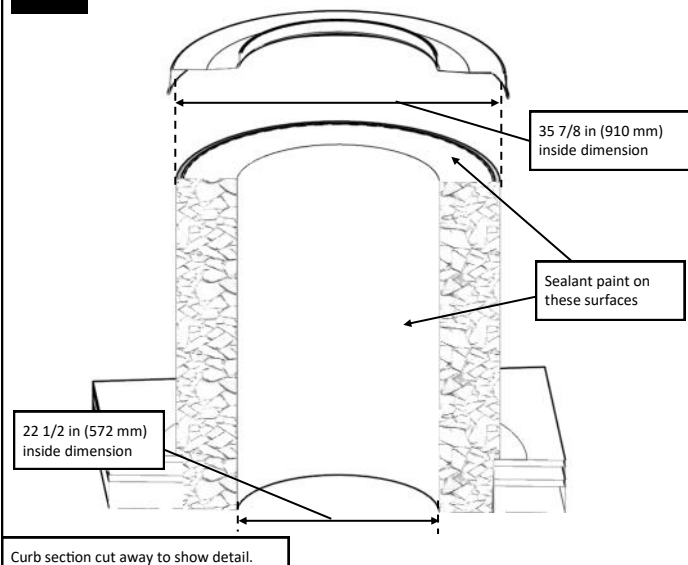
Available for China Only

Parts List	Quantity
1 Round Curb Cap	(1)
2 Concrete Screw 3/16 in x 2 3/4 in (5 mm x 70 mm) Hex	(8)
3 Concrete Drill Bit 5/32 in x 3 1/2 in (4 mm x 89 mm)	(1)

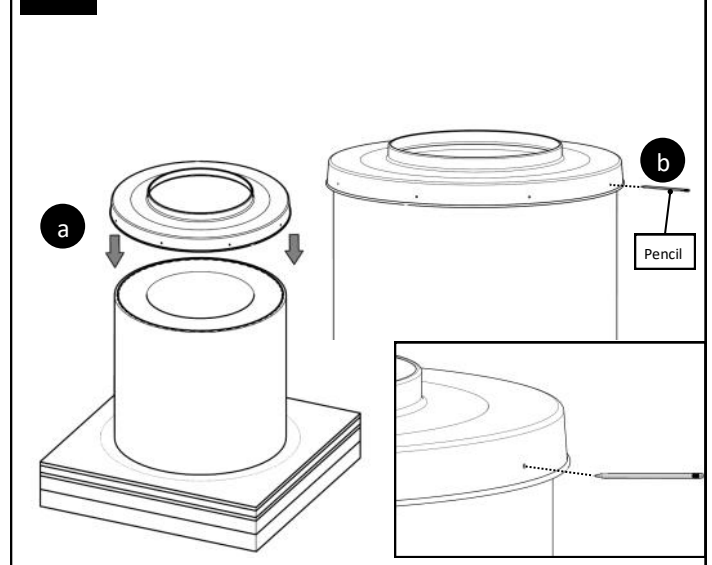
Additional Materials and Tools	Quantity
2 Sealant Paint (Not Provided)	

**Note: This product is not available for U.S. markets.**

**1** Apply Sealant Paint to the inside Walls and Top Sections of Concrete Curb



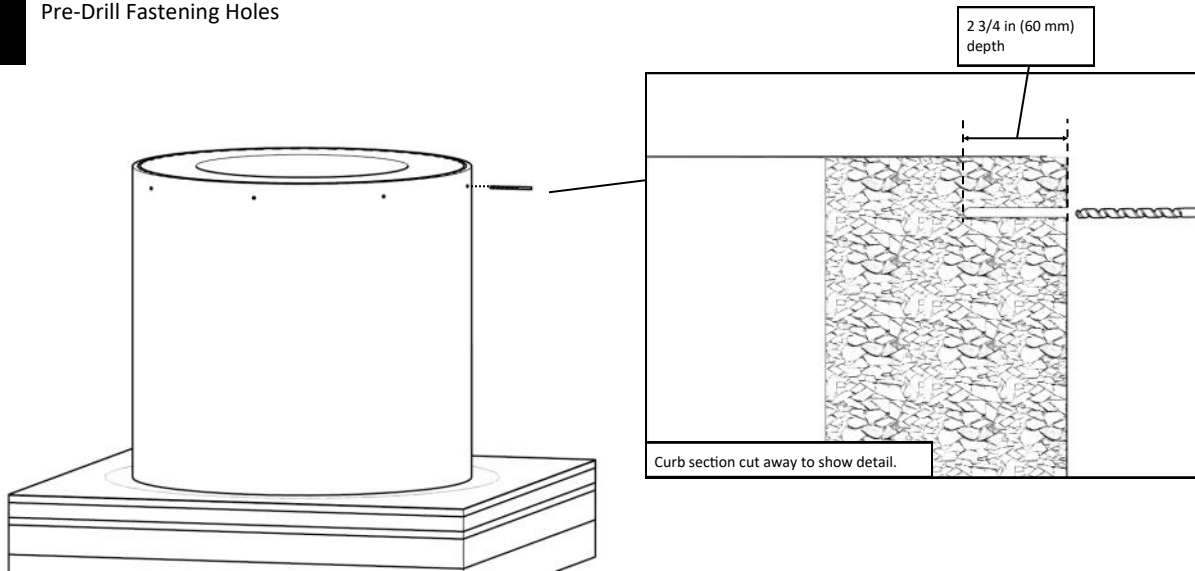
**2** Mark Fastening Holes



For the most current Installation Instructions, please visit [www.solatube.com/installations](http://www.solatube.com/installations)  
Solatube International, Inc. | 2210 Oak Ridge Way | Vista, CA 92081-8341 | [www.solatube.com](http://www.solatube.com) | T: 888.SOLATUBE

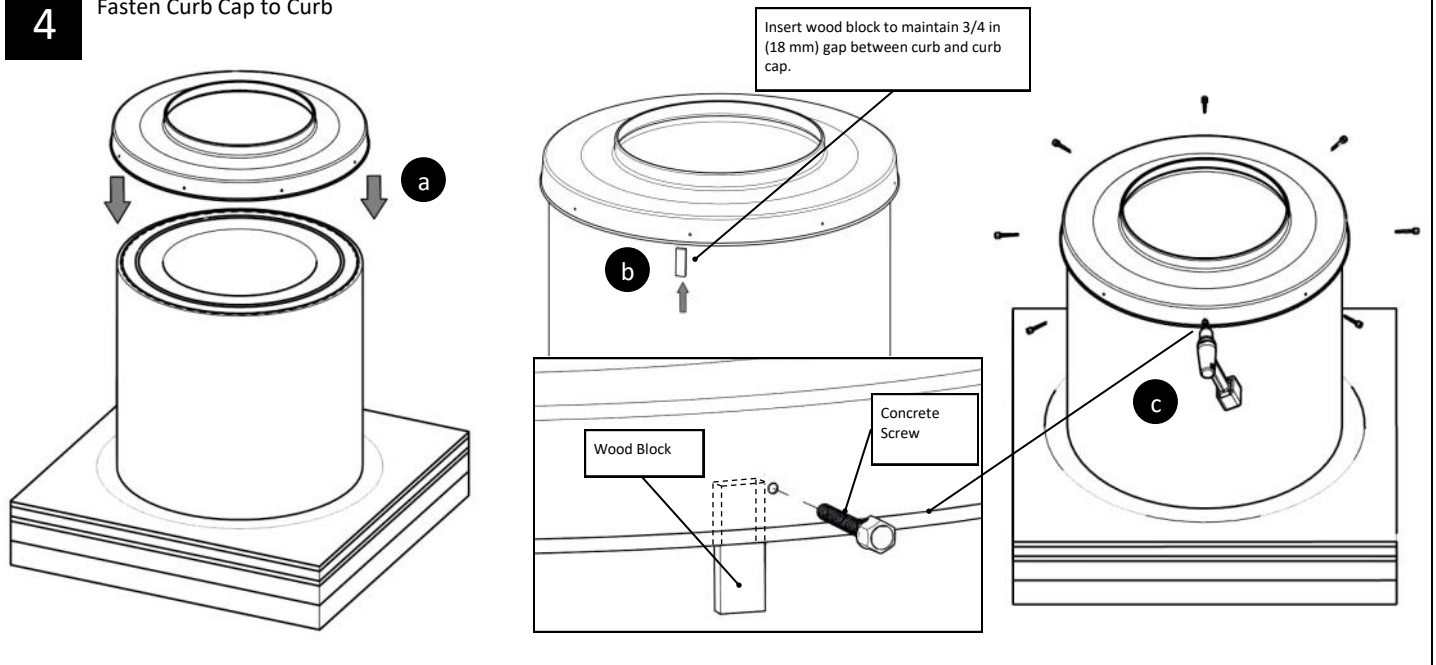
3

Pre-Drill Fastening Holes



4

Fasten Curb Cap to Curb



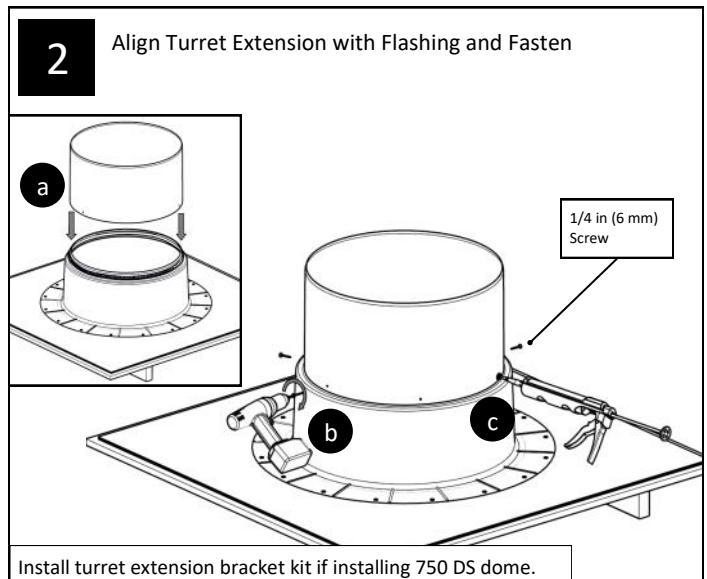
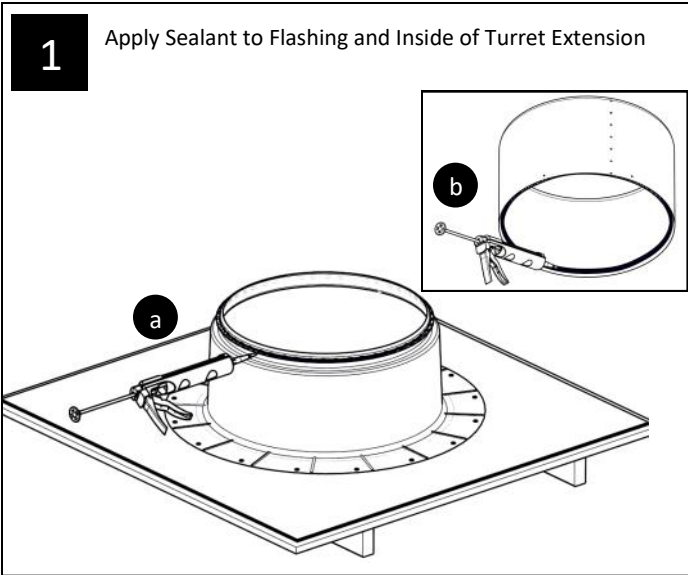


# Turret Extension Installation Instructions Appendix

Parts List	Quantity
1 Turret Extension 12 in (300 mm), 24 in (600 mm), 36 in (900 mm), or 48 in (1200 m)	(1)
2 1/4 in (6 mm) screws*	(4)

\* 3/4 in (20 mm) screws for 48 in (1200 mm) Turret Extension Only

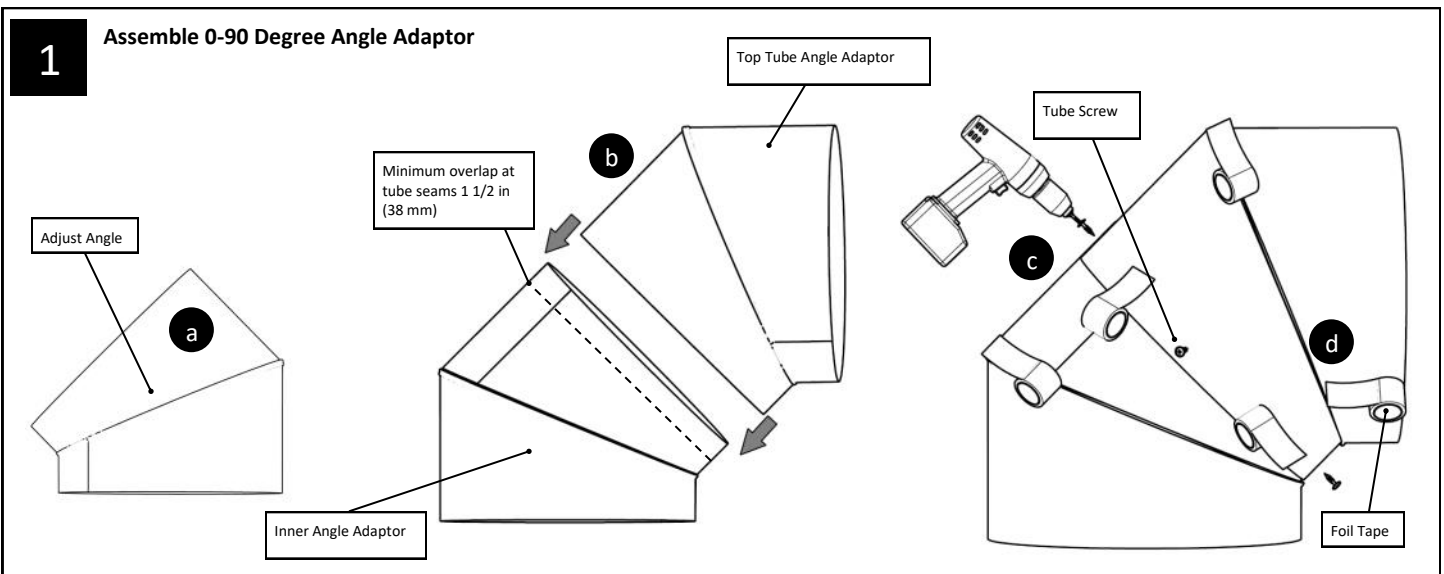
Additional Materials and Tools	Quantity
1 Roof Sealant	(1)



# 0-90 Degree Extension Tube Installation Instructions Appendix

Parts List	Quantity
1 Top Tube Angle Adaptor	(1)
2 Inner Angle Adaptor	(1)
3 Tube Screws - #8 X 9/16 in (14 mm)	(8)
4 Foil Tape - 2 in (51 mm) X 6 ft (2 m)	(2)

Additional Materials and Tools	Quantity
1 None	

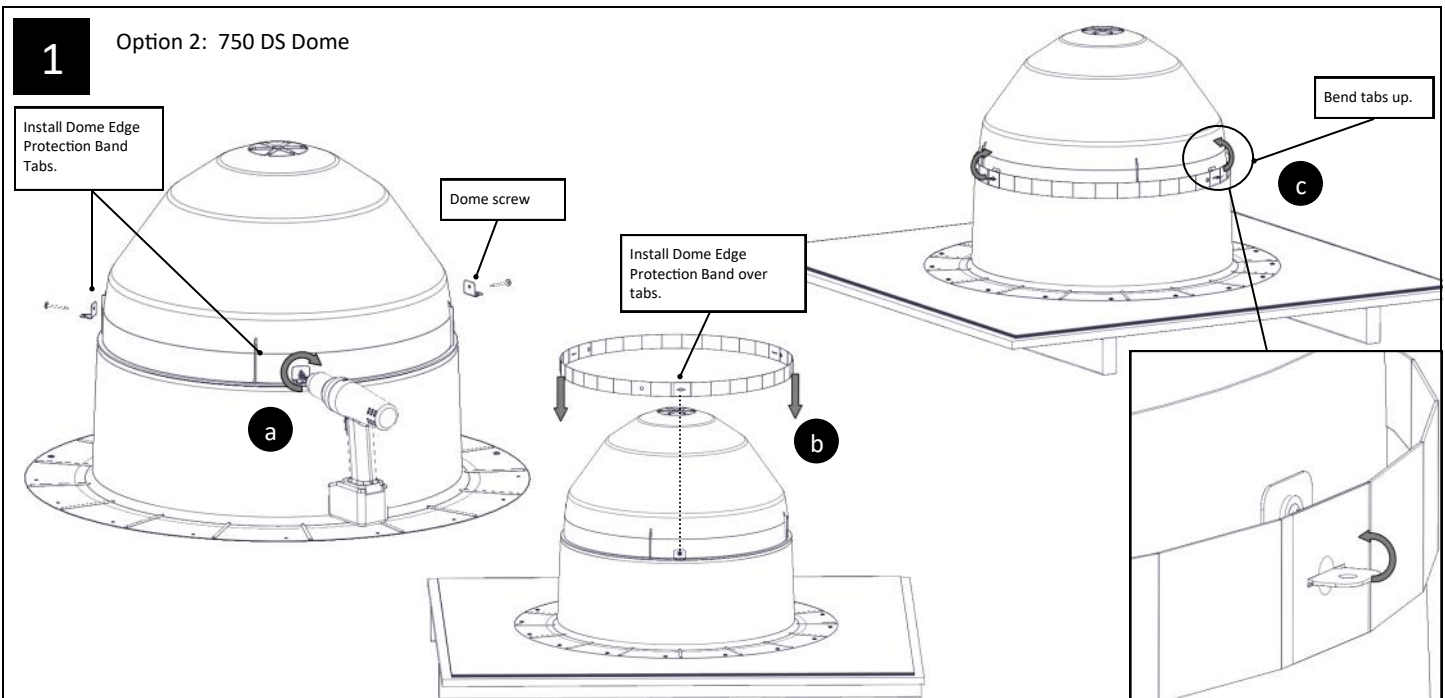
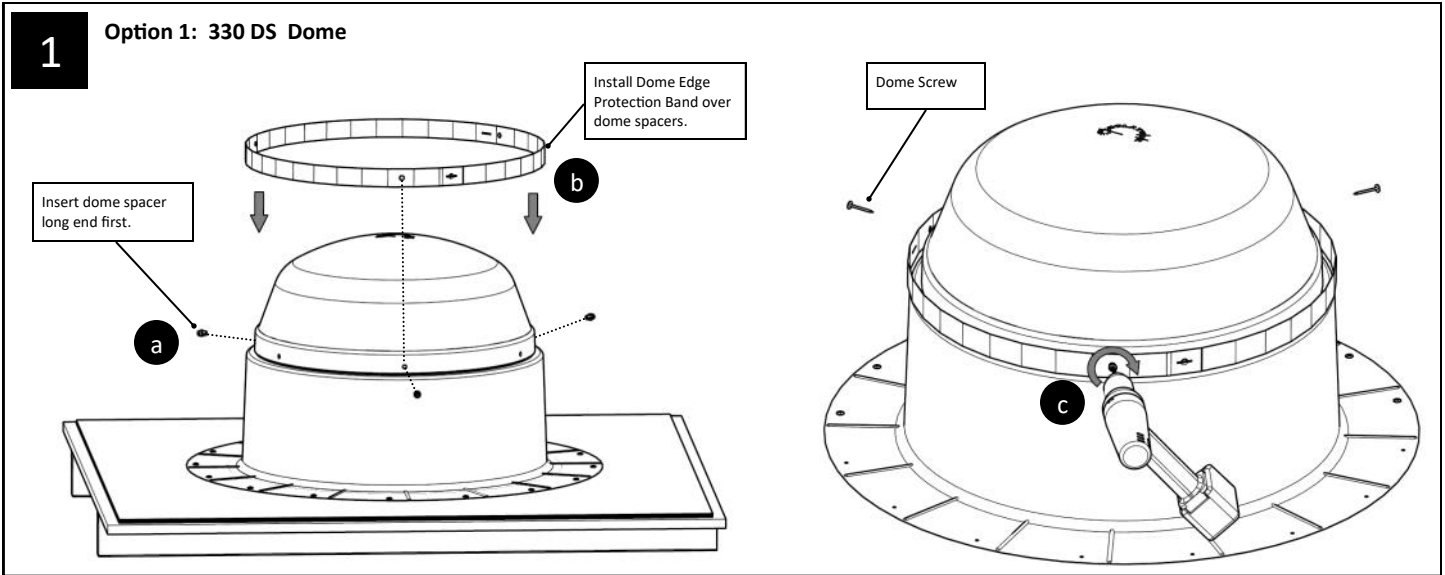


For the most current Installation Instructions, please visit [www.solatube.com/instructions](http://www.solatube.com/instructions)  
 Solatube International, Inc. | 2210 Oak Ridge Way | Vista, CA 92081-8341 | [www.solatube.com](http://www.solatube.com) | T: 888.SOLATUBE

# Dome Edge Protection Band Installation Instructions Appendix

Parts List	Quantity
1 Dome Edge Protection Band	(1)
2 Dome Edge Protection Band Tab	(3)

Additional Materials and Tools	Quantity
1 None	

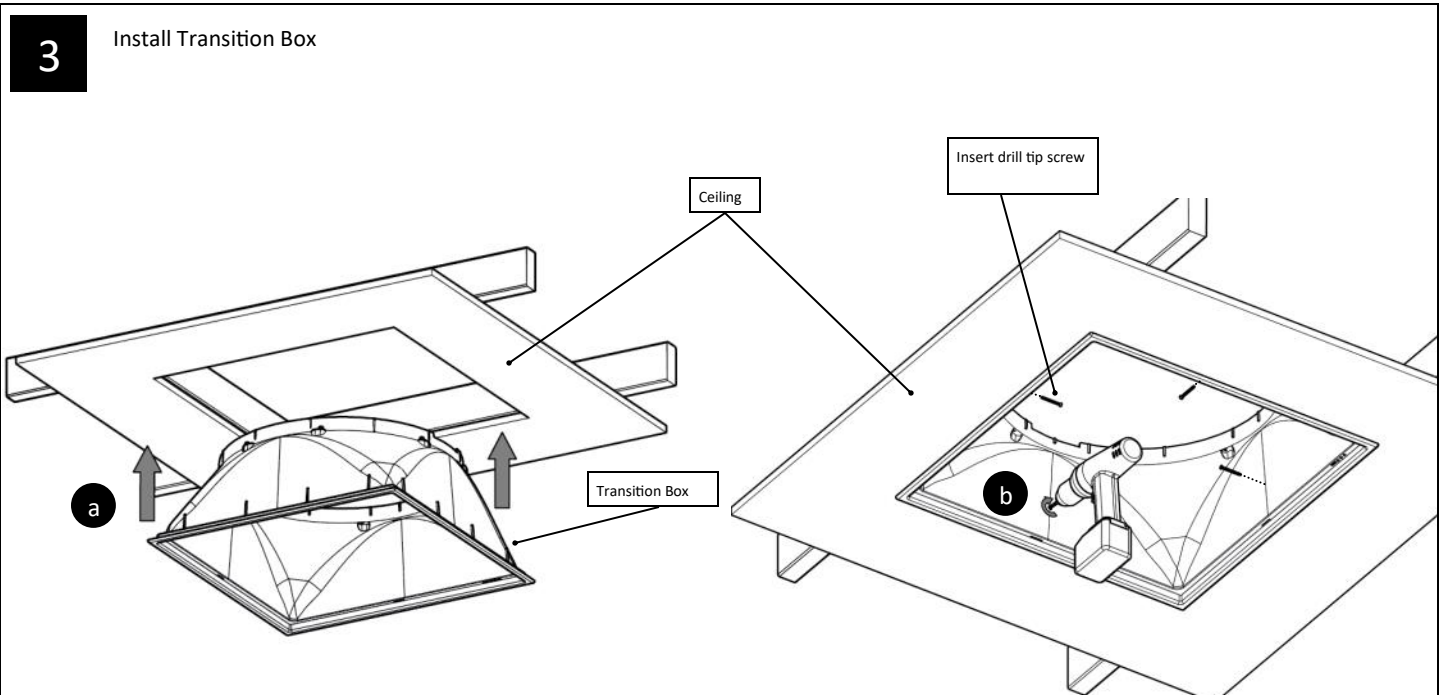
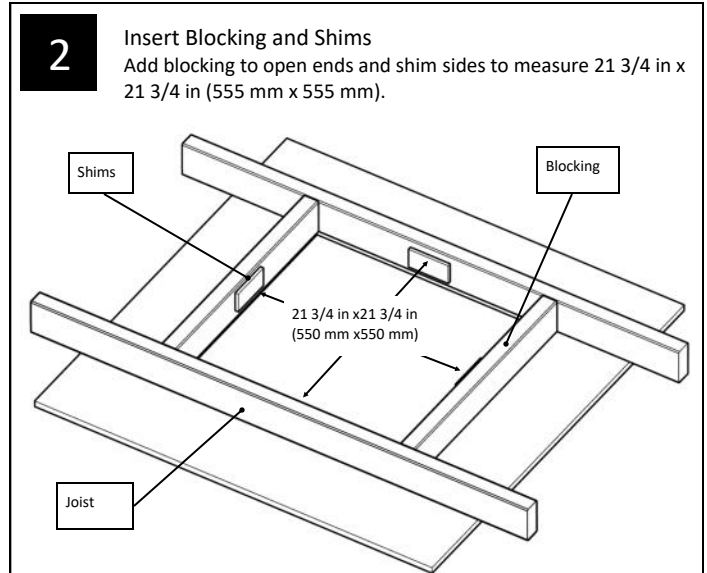
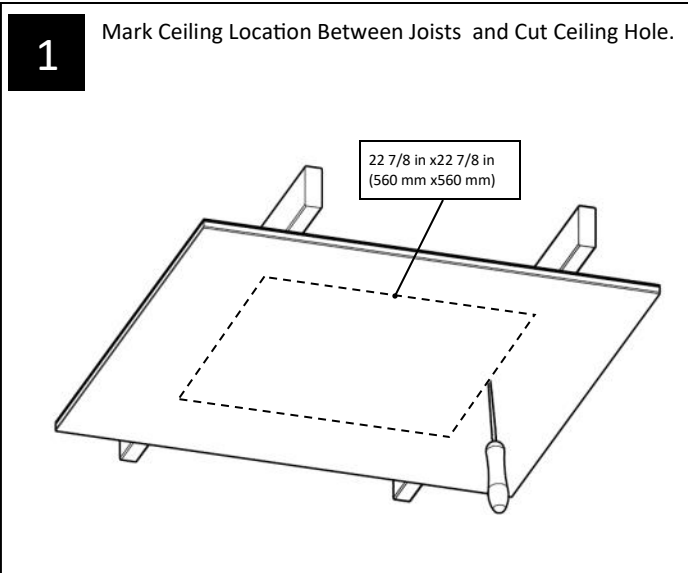


# Hard Ceiling Installation Instructions Appendix

**Note: This application is intended for the plastic polymeric transition box only.**

Parts List	Quantity
1 Transition Box	(1)
2 Drill Tip Screw 1 5/8 in (40 mm)	(4)

Additional Materials and Tools	Quantity
1 Wood Blocking	(2)
2 Shims	(4)

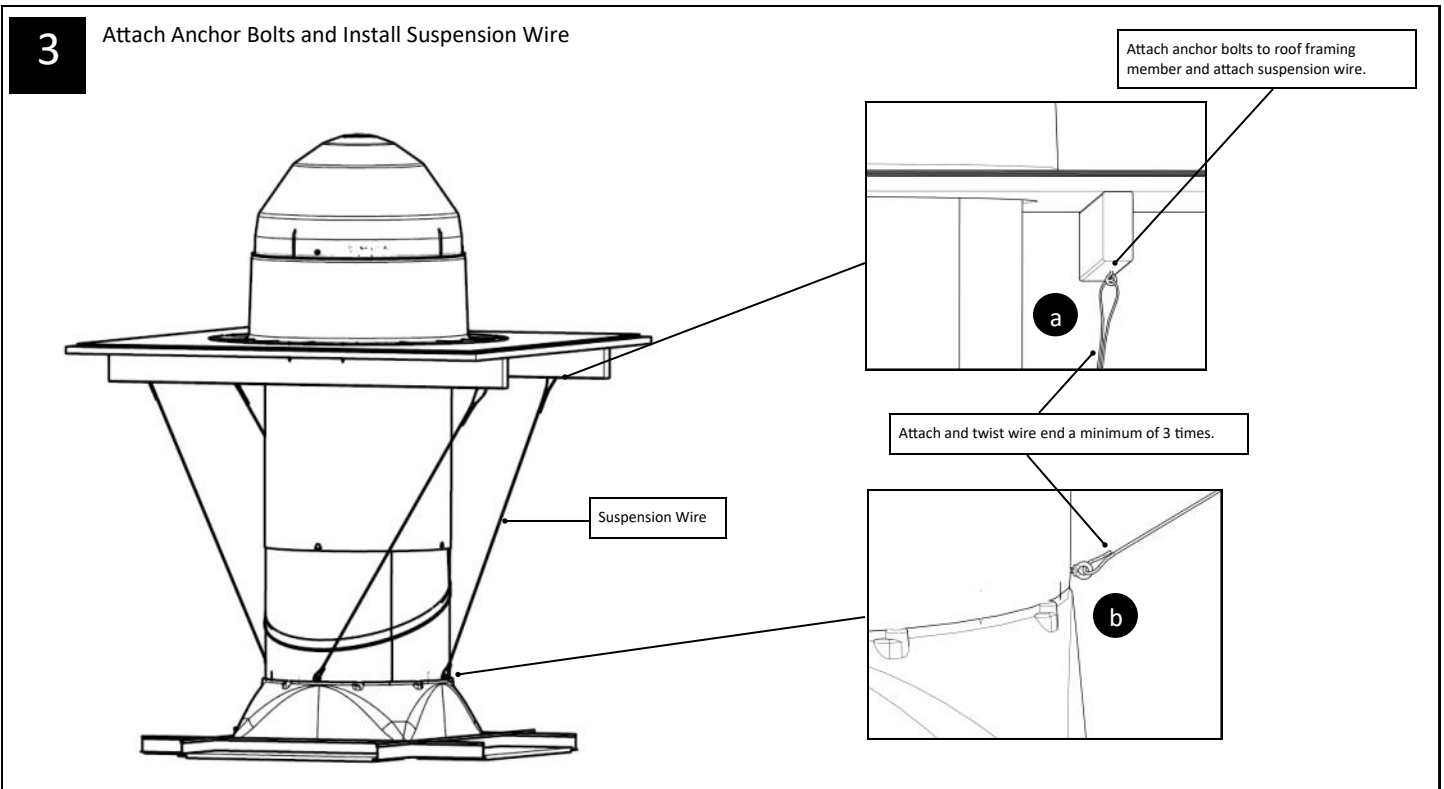
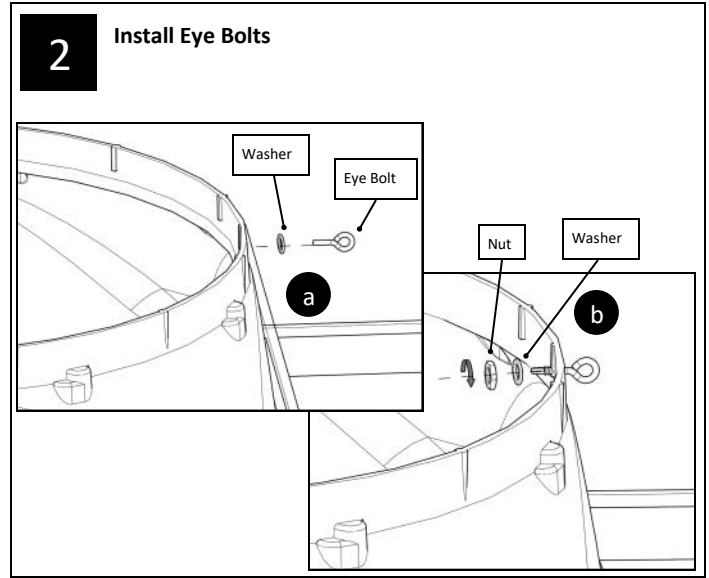
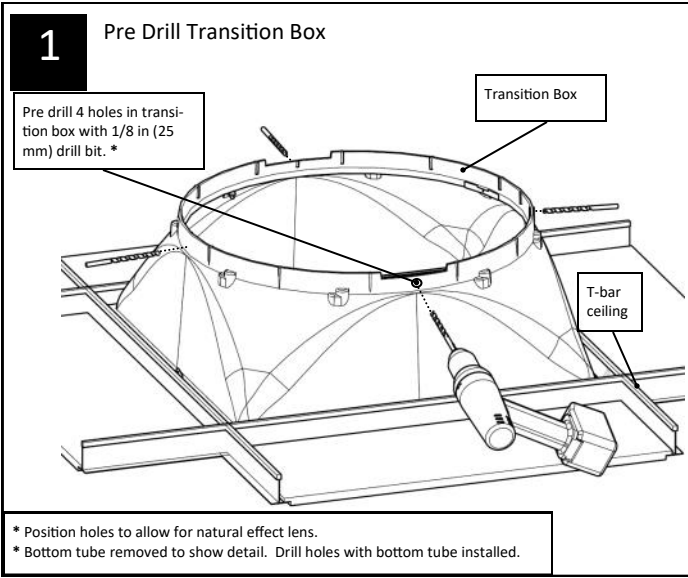


# Suspension Wire Kit Installation Instructions Appendix

## Plastic Polymeric Transition Box

Parts List		Quantity
1	12 Gauge Galvanized Wire 50 ft (15.25 m)	(1)
2	Anchor Bolts	(4)
3	Eye Bolt #8 1/8 in (25 mm) with Nut and (2) Washer	(4)

Additional Materials and Tools		Quantity
1	Drill Bit 1/8 in (3 mm)	(1)

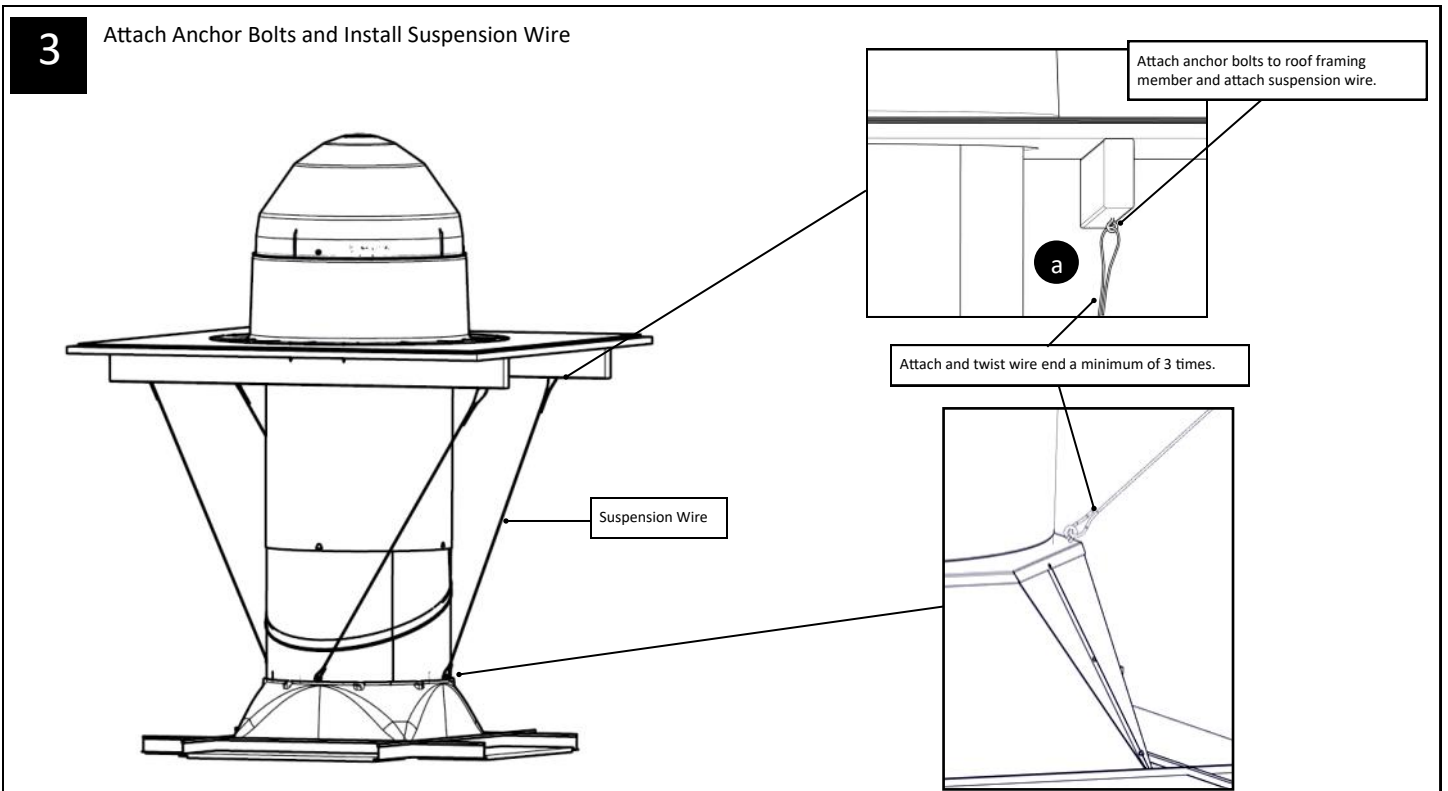
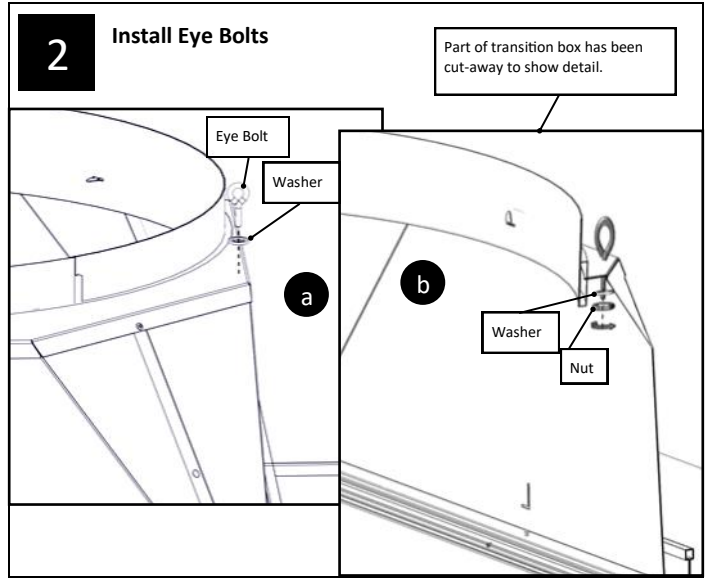
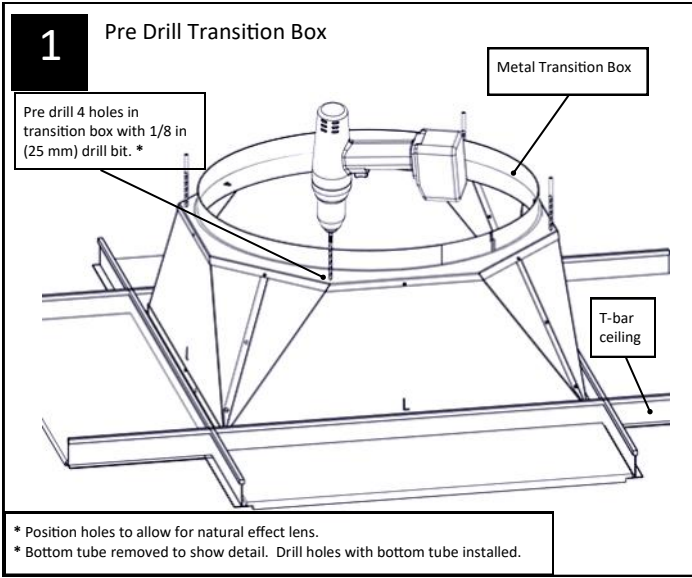


# Suspension Wire Kit Installation Instructions Appendix

## Metal Transition Box with Softlight Technology

Parts List	Quantity
1 12 Gauge Galvanized Wire 50 ft (15.25 m)	(1)
2 Anchor Bolts	(4)
3 Eye Bolt #8 1/8 in (25 mm) with Nut and (2) Washer	(4)

Additional Materials and Tools	Quantity
1 Drill Bit 1/8 in (3 mm)	(1)

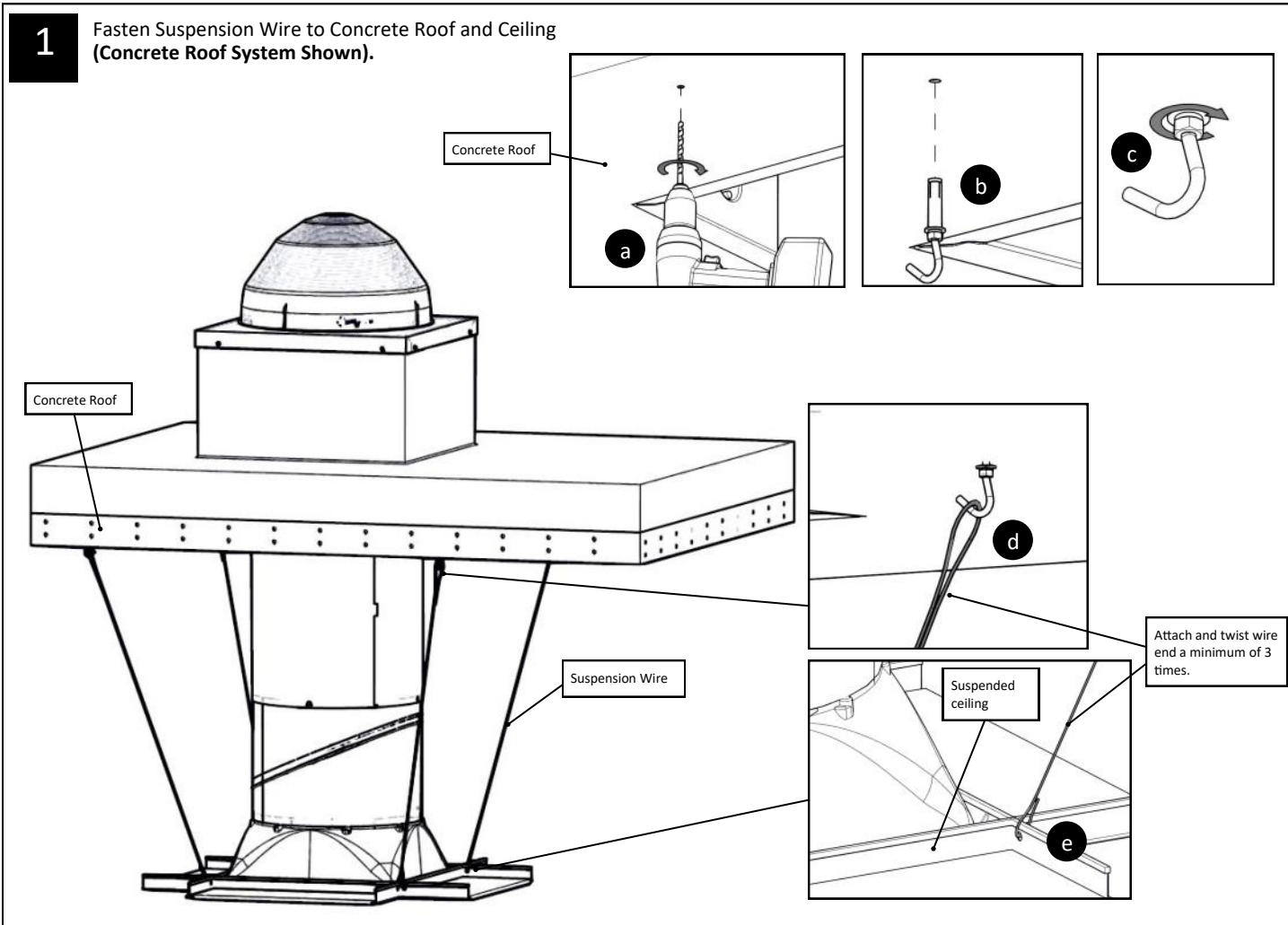


# Suspension Wire Kit for Suspended Ceiling

## Installation Instructions Appendix

Parts List	Quantity
1 12 Gauge Galvanized Wire 50 ft (15.25 m)	(1)
2 Expanding Bolt (M6)	(4)

Additional Materials and Tools	Quantity
1 Concrete Drill Bit 7/16 in (11 mm)	(1)
2 Concrete Hammer Drill	(1)

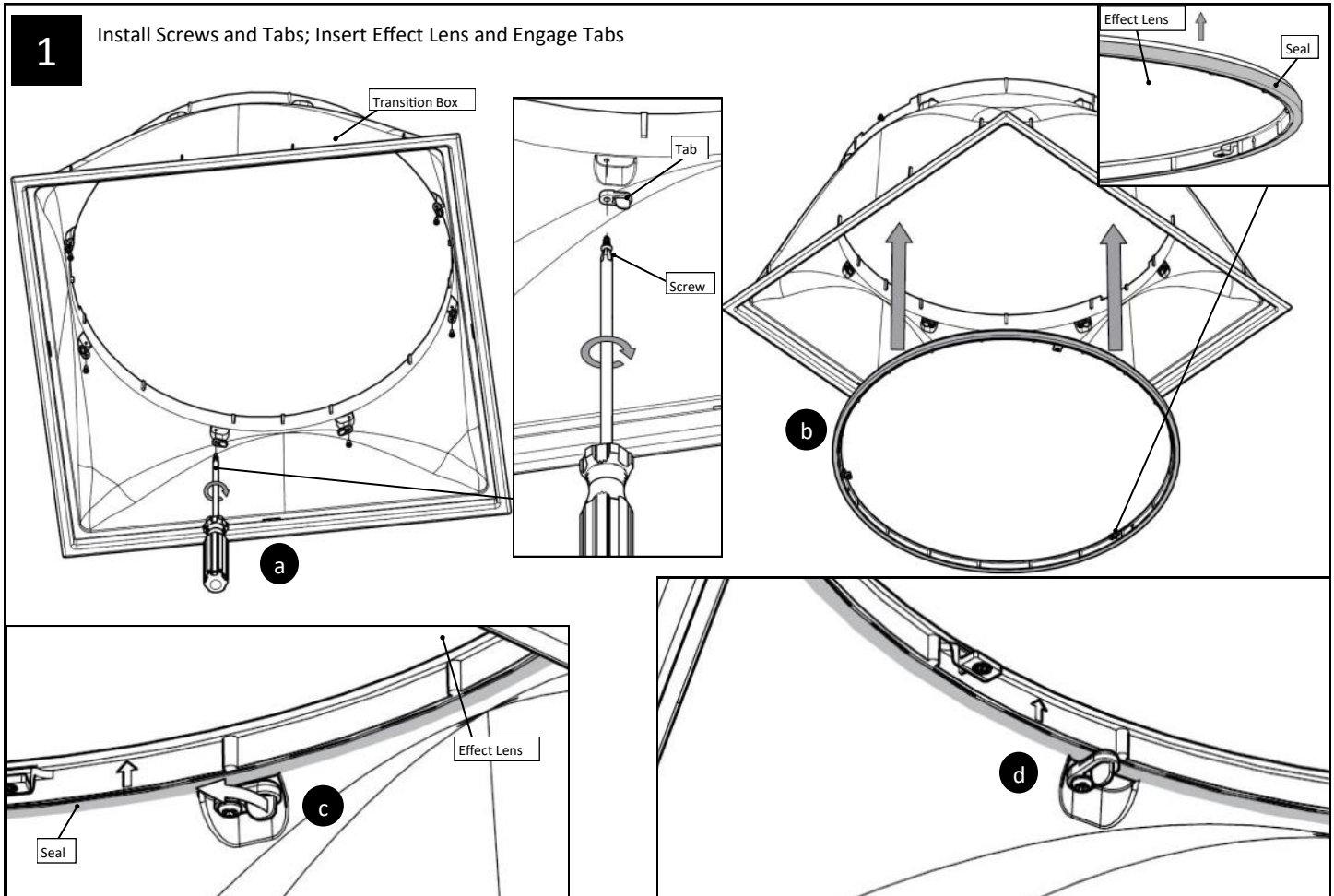


# Natural Effect Lens Installation Instructions Appendix

## Plastic Polymeric Transition Box

Parts List	Quantity
1 330 DS/750 DS Natural Effect Lens	(1)
2 Screw #6 X 3/8 in (10 mm)	(8)
3 Natural Effect Lens Tab	(8)

Additional Materials and Tools	Quantity
1 None	

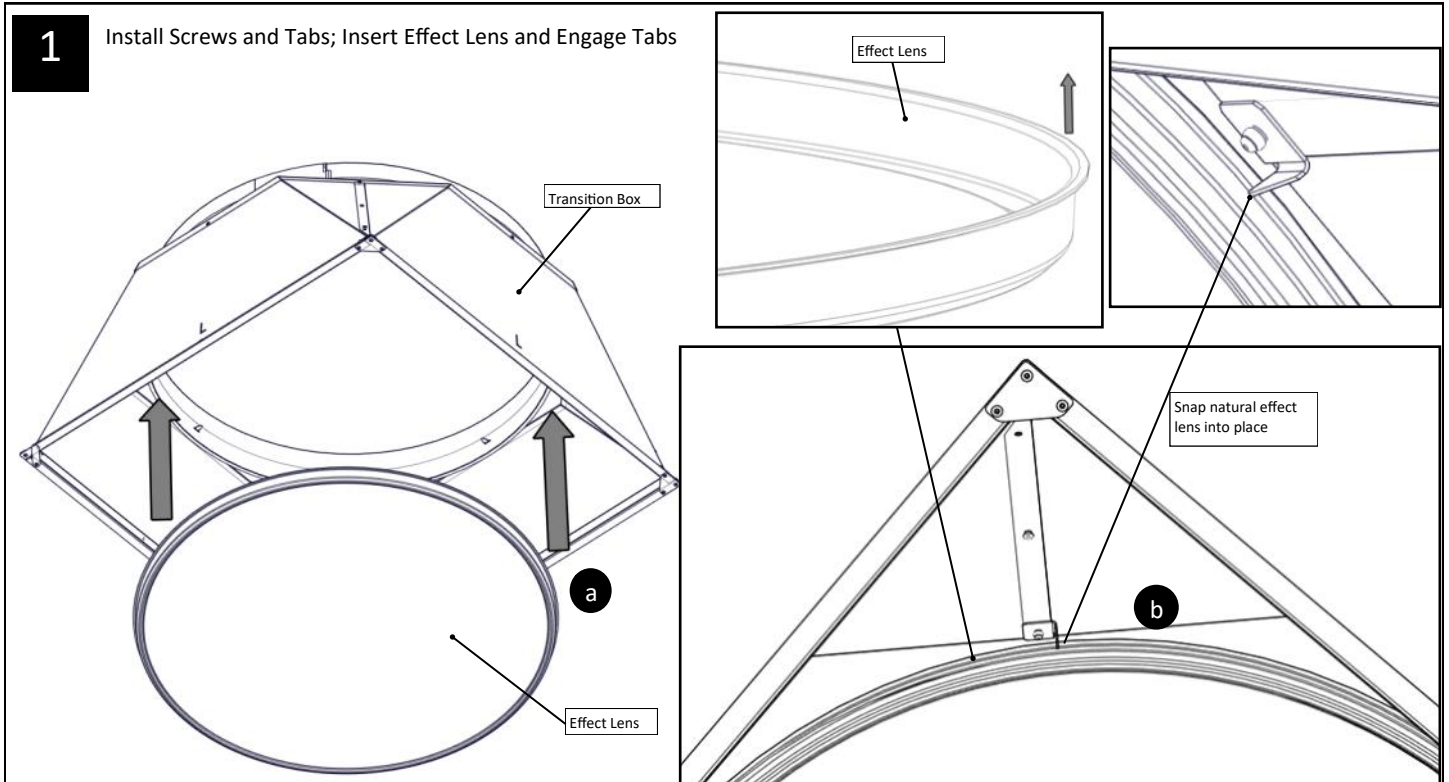


# Natural Effect Lens Installation Instructions Appendix

## Metal Transition Box with Softlight Technology

Parts List	Quantity
1 330 DS/750 DS Natural Effect Lens	(1)

Additional Materials and Tools	Quantity
1 None	





# Thermal Insulation Panel (TIP) Installation Instructions Appendix

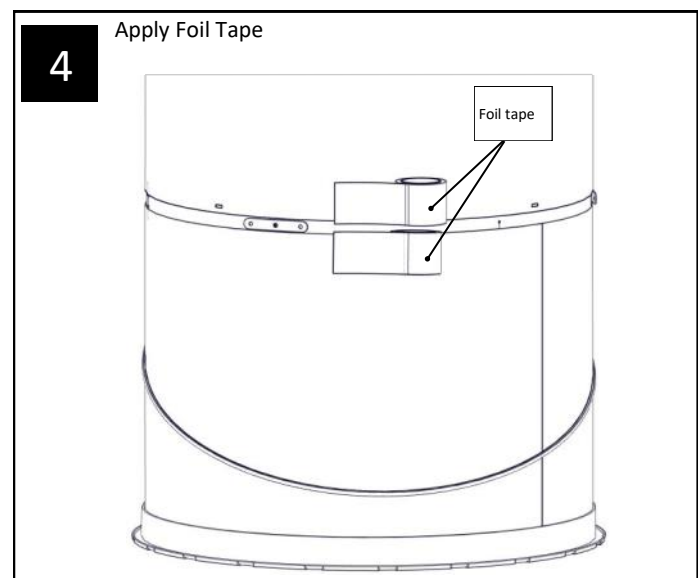
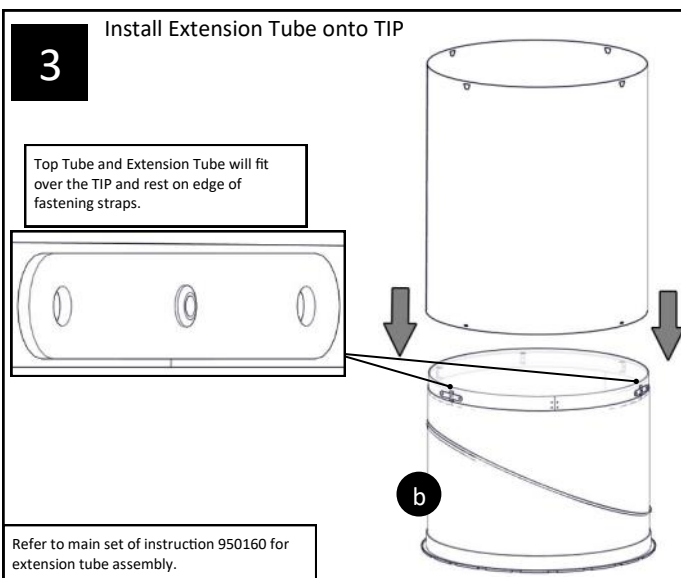
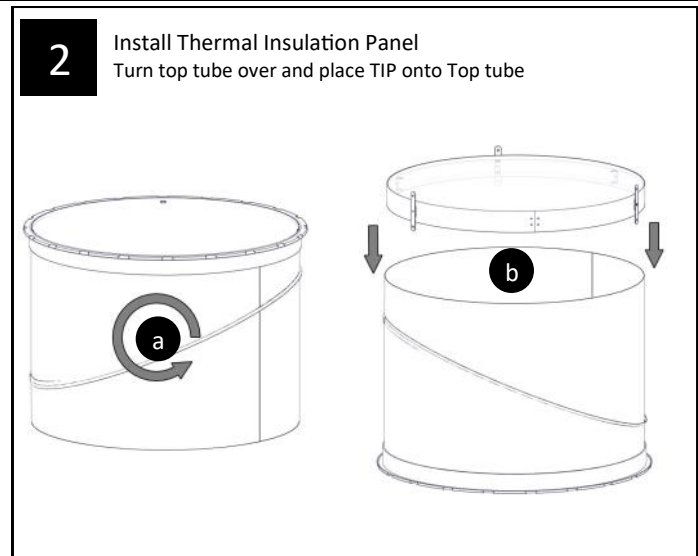
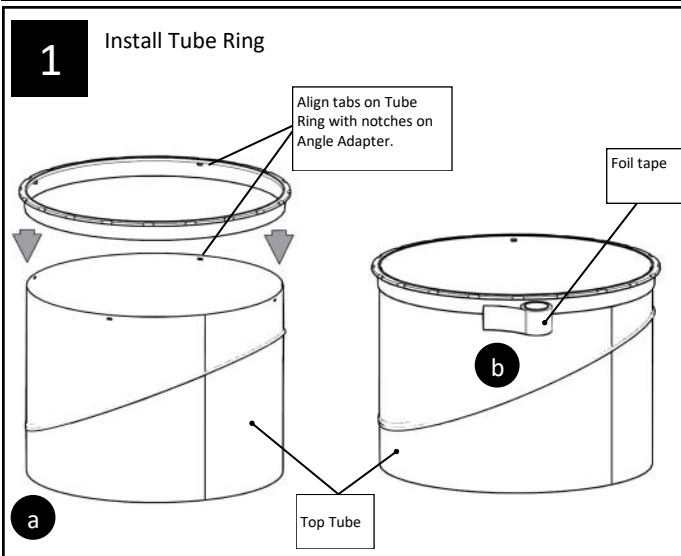
Parts List	Quantity
1 Thermal Insulation Panel (TIP)	(1)
2 Drill Tip Screw - #8 X 5/8 in (16 mm)	(4)
3 Tube Screws - #8 X 9/16 in (14 mm)	(6)
4 2 in (50 mm) Foil Tape - 6 ft (1.8 m)	(2)

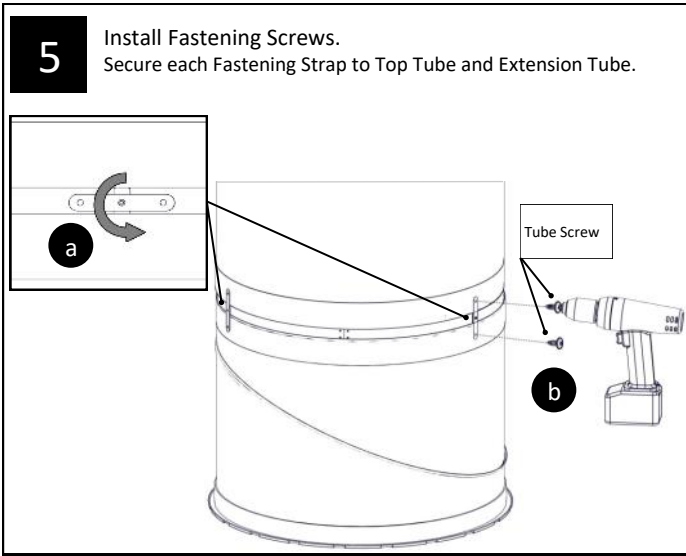
Additional Materials and Tools	Quantity
1 None	

## Open Ceiling TIP Installation Instructions

For Applications with Insulation at Roof Level

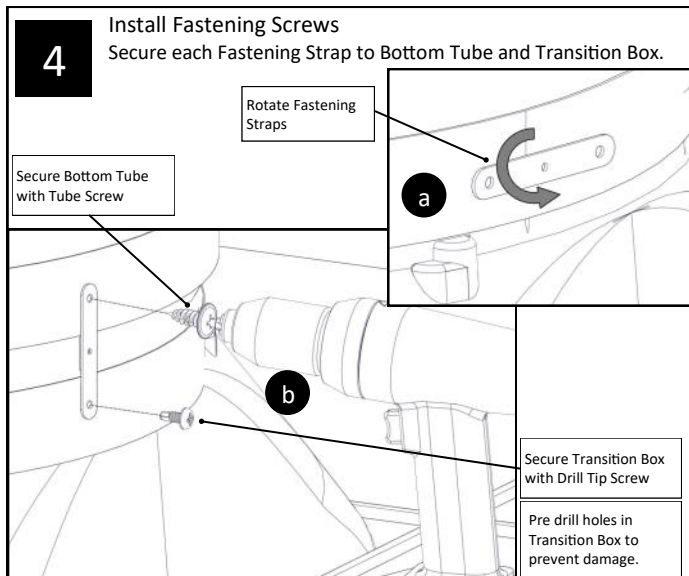
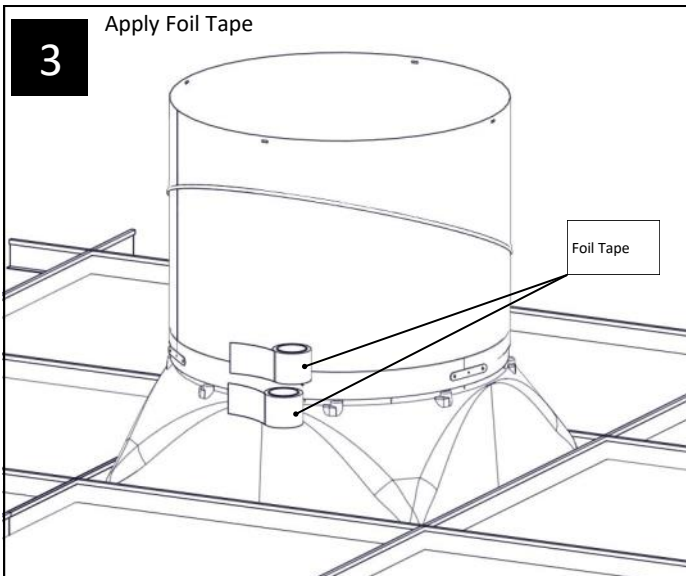
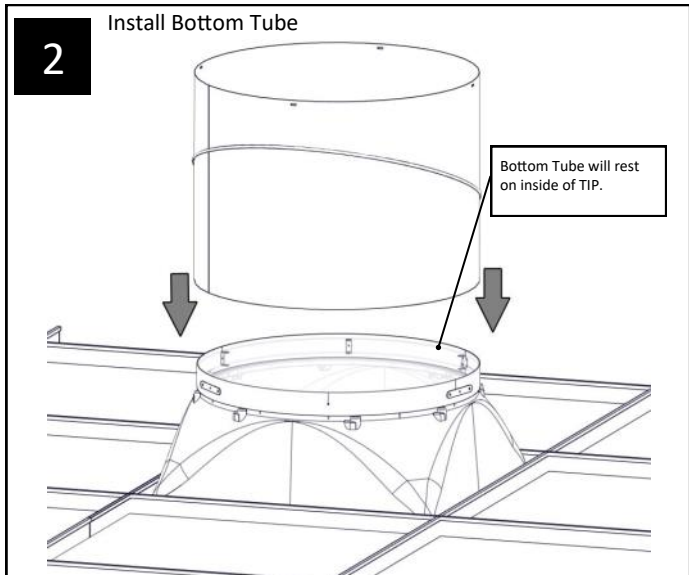
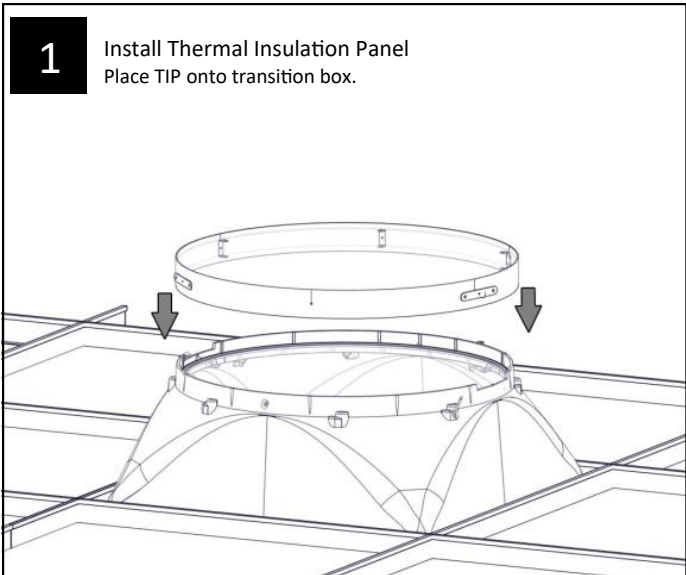
**Note: For best thermal performance, install the Thermal Insulation Panel within the buildings insulation level.**





## Closed Ceiling TIP Installation Instructions

For Applications with Insulation at Ceiling Level with Plastic or Metal Transition Box

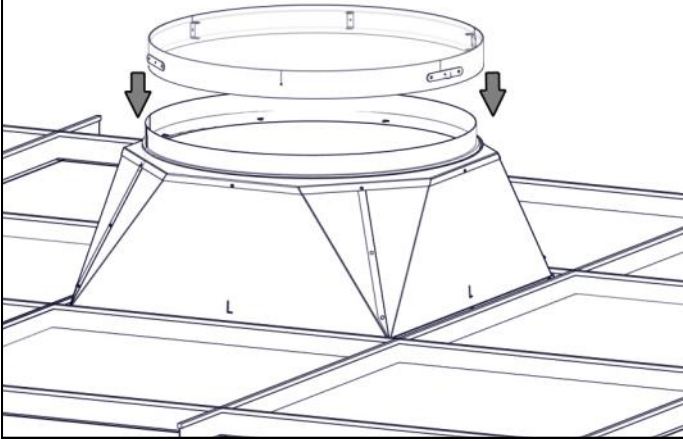


26 For the most current Installation Instructions, please visit [www.solatube.com/instructions](http://www.solatube.com/instructions)  
Solatube International, Inc. | 2210 Oak Ridge Way | Vista, CA 92081-8341 | [www.solatube.com](http://www.solatube.com) | T: 888.SOLATUBE

## Metal Transition Box Option

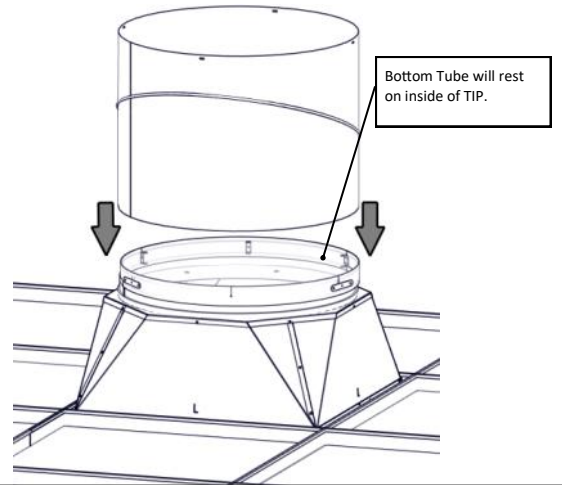
1a

Install Thermal Insulation Panel  
Place TIP onto Metal Transition box.



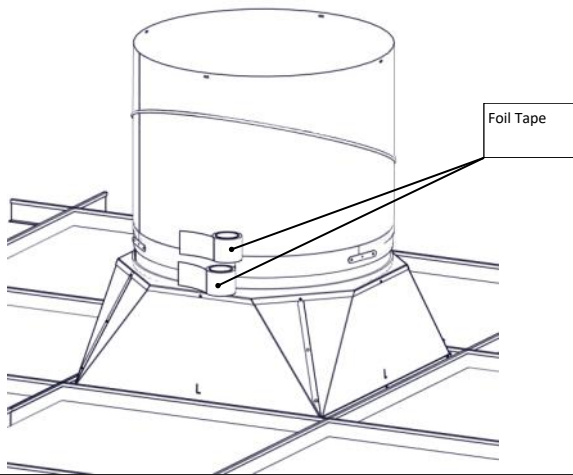
2a

Install Bottom Tube



3a

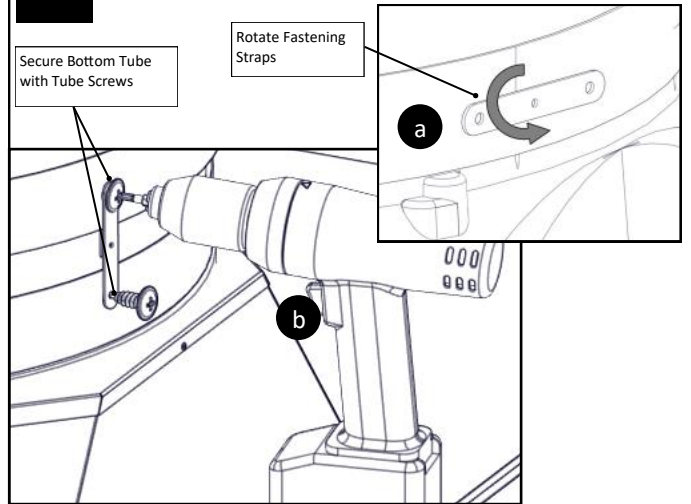
Apply Foil Tape



4a

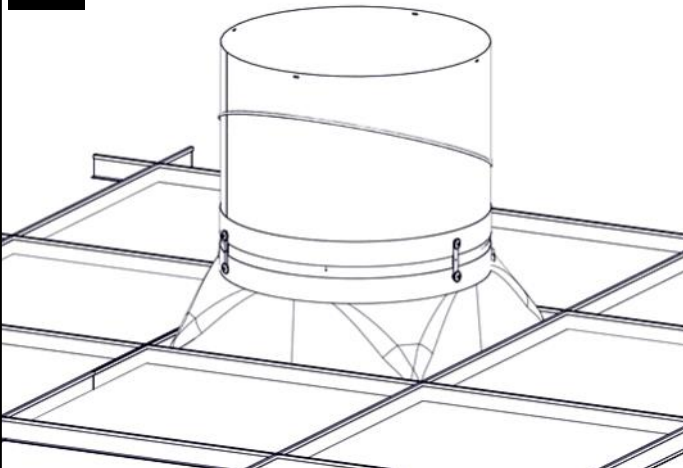
Install Fastening Screws

Secure each Fastening Strap to Bottom Tube and Transition Box.



5

Return to Main Set of Instructions to complete installation.

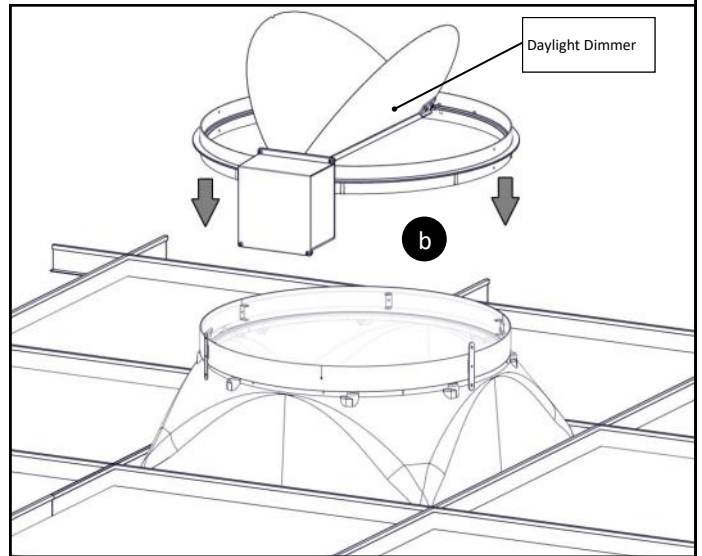
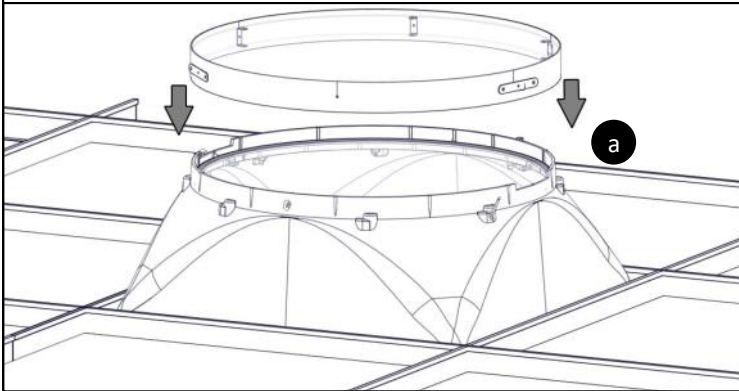


For the most current Installation Instructions, please visit [www.solatube.com/instructions](http://www.solatube.com/instructions)  
Solatube International, Inc. | 2210 Oak Ridge Way | Vista, CA 92081-8341 | [www.solatube.com](http://www.solatube.com) | T: 888.SOLATUBE

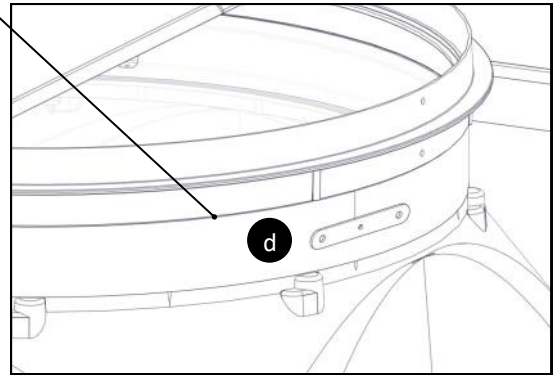
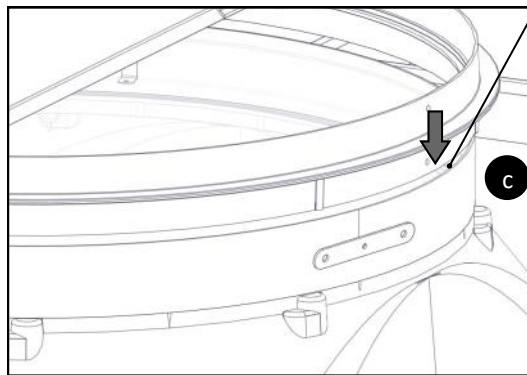
# Closed Ceiling TIP with Daylight Dimmer Installation Instructions

For Applications with Insulation at Ceiling Level—Plastic or Metal Transition Box

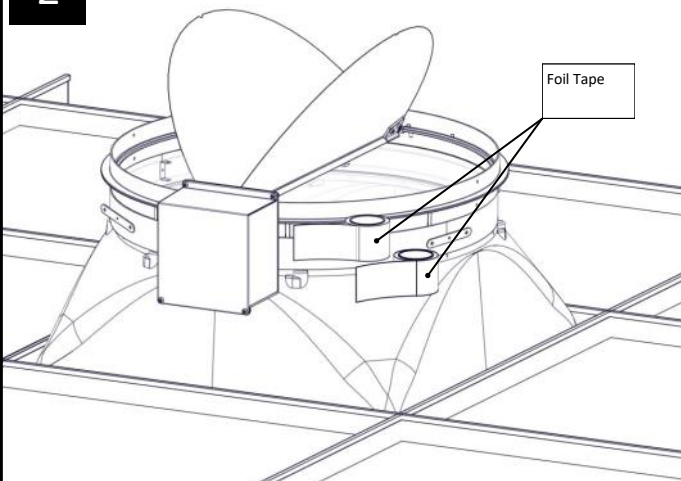
- 1** Install Thermal Insulation Panel and Daylight Dimmer  
Place TIP onto transition box.



Place Daylight Dimmer onto TIP. Note: The Daylight Dimmer and the TIP share the same diameter. The Daylight Dimmer will rest on top edge of TIP.

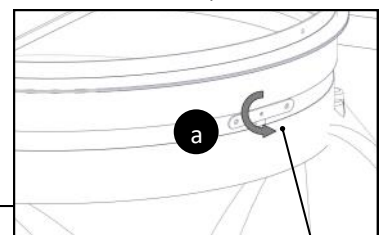
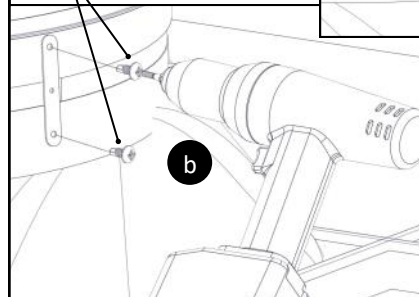


- 2** Apply Foil Tape



- 3** Return to Main Set of Instructions to complete installation.

Secure Daylight Dimmer and Transition Box with Drill Tip Screws\*



Rotate Fastening Straps

\*Pre drill holes in Transition Box and Daylight Dimmer to prevent damage

4

Return to Main Set of Instructions to complete installation.

